

RIB1C

Enclosed Relay 10 Amp SPDT with 10-30 Vac/dc/120 Vac Coil



Functional Devices, Inc. A600B 2004

GENERAL SPECIFICATIONS

Relays & Contact Type: One (1) SPDT Continuous Duty Coil
Expected Relay Life: 10 million cycles minimum mechanical
Operating Temperature: -30 to 140° F
Operate Time: 20ms
Relay Status: LED On = Activated
Dimensions: 1.7" x 2.8" x 1.5" with 1/2" NPT nipple
Wires: 16", 600V Rated
Approvals: UL Listed, UL916, UL864, C-UL Canada
 California State Fire Marshal
Housing Rating: Plenum, NEMA 1
Gold Flash: Yes
Override Switch: No

CONTACT RATINGS

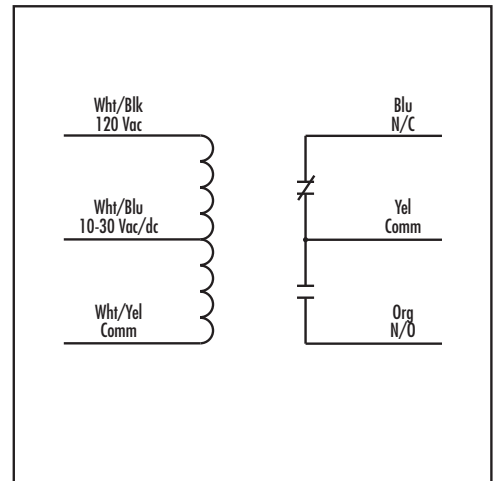
10 Amp resistive	120-277 Vac
10 Amp resistive	28 Vdc
480 VA Pilot Duty	240-277 Vac
480 VA Ballast	277 Vac
600 Watt Tungsten	120 Vac N.O.
240 Watt Tungsten	120 Vac N.C.
1/3 HP for N.O.	120-240 Vac
1/6 HP for N.C.	120-240 Vac
1/4 HP for N.O.	277 Vac
1/8 HP for N.C.	277 Vac

COIL CURRENT

30 mA @ 10 Vac	12 mA @ 10 Vdc
32 mA @ 12 Vac	14 mA @ 12 Vdc
42 mA @ 24 Vac	16 mA @ 24 Vdc
50 mA @ 30 Vac	18 mA @ 30 Vdc
25 mA @ 120 Vac	

COIL VOLTAGE INPUT

10-30 Vac/dc, 120 Vac; 50-60 Hz
 DROP OUT = 2.1 Vac / 2.8 Vdc
 PULL IN = 9 Vac / 10 Vdc



NOTES

- Can be ordered in a NEMA 4 enclosure by adding "-N4" to the end of the model number.
- Can be ordered in a red enclosure by adding "-RD" to the end of the model number.

NOTES: