

RIBXGTA Enclosed Split-Ring Adjustable .75-150 Amp Current Sensor with Terminal Strip Output & LED Indicators



Functional Devices, Inc. A600B 2004

GENERAL SPECIFICATIONS

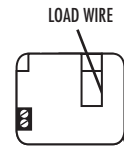
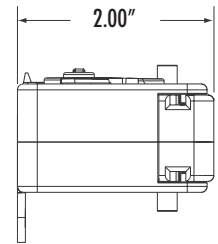
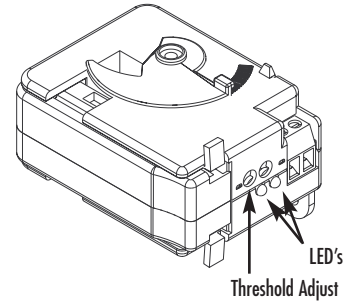
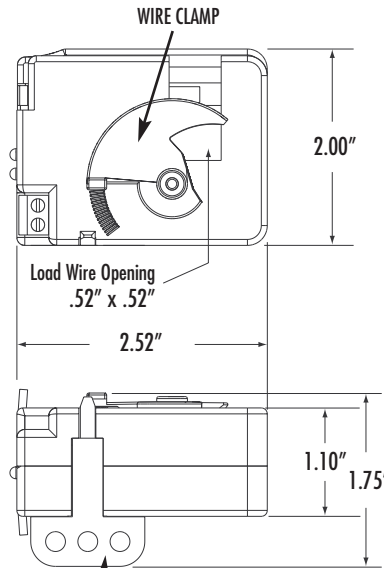
Operating Temperature: -30 to 140° F
Dimensions: See Drawing
Output: Terminal Strip, Accepts #14-22 AWG Wire
Approvals: UL Listed, UL916, UL864, C-UL Canada
Housing Rating: Plenum, NEMA 1

CURRENT SENSOR

Sensor Type: Internal
Sensor Threshold: Adjustable, .75-150 Amps
Sensor Range: .75-150 Amps
Max Sense Voltage: 600 Vac

NOTES

- Mounting tab comes attached to the side of RIBXGTA, but is optional and can be removed
- The Ratcheting Cam clamps against the load wire securing RIBXGTA in position



Solid State Contact
30 Vac/dc, .4 Amp Max.

When current sensor status is off (open),
leakage <30 uA @ 30Vac/dc
When current sensor status is on (closed),
voltage drop <.3 Vac/dc @ .1 Amp
<1.6 Vac/dc @ .4 Amp

NOTES:

INTERLOCKING LOADS (NO TRANSFORMER)

Self-powered Current Sensors of the RIBX Series and self-powered relays of the Dry Contact Input RIB Series may be applied to Interlocking Load 2 to Load 1.

DRY CONTACT INPUT RELAYS

RIB21CDC	RIBM01ZNDC
RIB01BDC	RIBM02ZNDC
RIB02BDC	RIBM013PNDC

RIBX CURRENT SENSORS

RIBXKF	RIBXF	RIBMXF
RIBXKTF	RIBXA	RIBMXA
RIBXGA	RIBXV	RIBMXV
RIBXGF	RIBXRF	RIBMXRF
RIBXGTA	RIBXRA	RIBMXRA
RIBXGTF	RIBXJF	RIBMXJF
RIBXGFL	RIBXJA	RIBMXJA

