

## Versatile and Powerful

- Minimum 180 in-lb torque in a compact package.

For damper areas up to 45 sq-ft\*



All Actuators have BDCM

### AM Series - At A Glance

		<i>AMB(X)24-3 (p. 148)</i>	<i>AMX24-3-T (p. 148)</i>	<i>AMB24-3-S (p. 148)</i>	<i>AMX120-3 (p. 150)</i>	<i>AMB(X)24-SR (p. 152)</i>	<i>AMX24-SR-T (p. 152)</i>	<i>AMX120-SR (p. 154)</i>	<i>AMB(X)24-MFT (p. 156)</i>	<i>AMCX24-MFT (p. 158)</i>	<i>AMX24-MFT95 (p. 160)</i>	<i>AMX24-PC (p. 162)</i>	<i>AMQB(X)24-1 (p. 164)</i>	<i>AMQB(X)24-MFT (p. 166)</i>
Basic Product (B)		•		•		•		•		•		•		•
Flexible Product		•	•	•	•	•	•	•	•	•	•	•	•	•
Torque	180 in-lb [20 Nm]	•	•	•	•	•	•	•	•	•	•	•	•	•
	140 in-lb [16 Nm]												•	•
Angle of Rotation	95 degrees	•	•	•	•	•	•	•	•	•	•	•	•	•
Power Supply	24 VAC/DC	•	•	•		•	•		•	•	•	•	•	•
	100 to 240 VAC				•			•						
Control Input	On/Off												•	
	On/Off, Floating Point	•	•	•	•						•			
	2 to 10 VDC (4 to 20mA)					•	•	•						
	Multi-Function Technology								•	•				•
	0 to 135 Ohm										•			
	0 to 20V Phasecut											•		
Feedback	None	•	•	•	•		•							
	2 to 10 VDC					•		•				•		
	Variable (0 to 10 VDC)								•	•	•			•
Running Time	95 seconds	•		•		•						•		
	Adj. 7 to 20 seconds												•	•
	Adj. 95 to 300 seconds		•		•		•	•	•	•	•			
Wiring	Plenum Rated Cable	•				•			•	•	•	•	•	•
	Appliance Rated Cable			•	•			•						
	Terminal Strip		•				•							
	Conduit Fitting	•		•	•	•		•	•	•	•	•	•	•
Auxiliary Switch	Built-In			•										
	Add-On	•	•	•	•	•	•	•	•	•	•	•	•	•

Installation and Operation... (page 267).

\*Based on 4 in-lb/ft<sup>2</sup> damper torque loading. Parallel blade. No edge seals.

# A CLOSER LOOK...

- Brushless DC Motor for Added Accuracy and Controllability.
- Cut Labor Costs with Simple Direct Coupling.
- Self-Centers on 1/2", 3/4", and 1.05" Jackshafts with Standard Clamp.
- Check Damper Position with Clear Position Indicator.
- Don't Worry about Actuator Burn-Out; Belimo is Overload Proof throughout Rotation.
- Enjoy Added Flexibility with Easy Mechanical Stops to Adjust Angle of Rotation.
- Need to Change Control Direction? Do it easily with a Simple Switch.
- Easily Accessible Manual Override Button helps you Pre-Tension Damper Blades.
- Fully Adjustable Built-In Auxiliary Switch (AMB24-3-S).
- Auxiliary Switch and Feedback Potentiometer Add-Ons Mount Directly on Clamp, Includes Conduit Connector.
- Standard 3ft Plenum Rated Cable and Conduit Connector Provided on Basic Models.
- Added Flexibility to Select Clamp, Electrical Connection, and Running Time to fit your Specific Application with Belimo's New Flexible Line of Actuators.



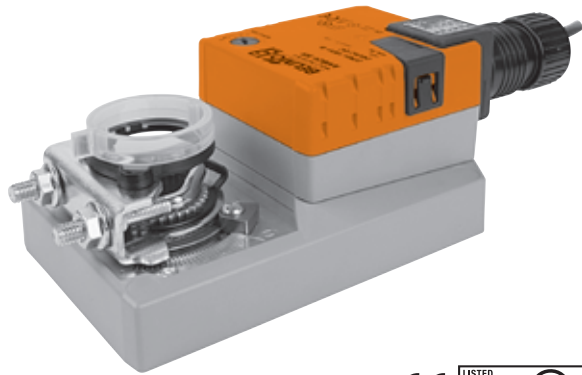
## The Belimo Difference

- **Customer Commitment.**  
Extensive product range. Application assistance.  
Same-day shipments. Free technical support. Five year warranty.
- **Low Installation and Life-Cycle Cost.**  
Easy installation. Accuracy and repeatability.  
Low power consumption. No maintenance.
- **Long Service Life.**  
Components tested before assembly. Every product tested before shipment.  
30+ years direct coupled actuator design.

K20901 - 01/09 - Subject to change. © Belimo Aircontrols (USA), Inc.

# AMB(X)24-3

On/Off, Floating Point Control, Non-Spring Return, Direct Coupled, 24V



Technical Data	AM(B)(X)24-3(-S)(-T)
Power Supply	24 VAC ± 20% 50/60 Hz 24 VDC ± 10%
Power Consumption	2.5 W (0.5 W)
Transformer Sizing	5.5 VA (Class 2 power source)
Electrical Connection	3 ft, 18 GA plenum rated cable 3 ft, 18 GA appliance rated cable (-S) 1/2" conduit connector Protected NEMA 2 (IP54)
Overload Protection	electronic throughout 0 to 95° rotation
Control	on/off, floating point
Input Impedance	600 Ω
Angle of Rotation	max. 95°, adjust. with mechanical stop
Torque	180 in-lb [20 Nm]
Direction of Rotation	reversible with  switch
Position Indication	reflective visual indicator (snap-on)
Manual Override	external push button
Auxiliary Switch (-S Models)	1 x SPDT, 3A (0.5A) @ 250 VAC Adj. 0 to 100%, UL Approved
Running Time	95 seconds, constant independent of load
Humidity	5 to 95% RH non condensing (EN 60730-1)
Ambient Temperature	-22°F to 122°F [-30°C to 50°C]
Storage Temperature	-40°F to 176°F [-40°C to 80°C]
Housing	NEMA 2, IP54, UL enclosure type 2
Housing Material	UL94-5VA
Agency Listings†	cULus acc. to UL 60730-1A/-2-14, CAN/CSA E60730-1:02, CE acc. to 2004/108/EEC and 2006/95/EC
Noise Level	<45dB(A)
Servicing	maintenance free
Quality Standard	ISO 9001
Weight	2.2 lbs [1000 Kg] AMB24-3 2.4 lbs [1050 Kg] AMB24-3-S

AMB(X)24-3-T	
Electrical connection	screw terminal (for 26 to 14 GA wire) <input type="checkbox"/> unprotected (NEMA 1/IP20) <input type="checkbox"/> protected (NEMA 2/IP20)

†Rated Impulse Voltage 800V, Type of action 1, (1.B for -S version), Control Pollution Degree 3.

Torque min. 180 in-lb for control of damper surfaces up to 45 sq ft.

## Application

For on/off and floating point control of dampers in HVAC systems. Actuator sizing should be done in accordance with the damper manufacturer's specifications.

The actuator is mounted directly to a damper shaft up to 1.05" in diameter by means of its universal clamp, self-centered default. A crankarm and several mounting brackets are available for applications where the actuator cannot be direct coupled to the damper shaft.

## Operation

The actuator is not provided with and does not require any limit switches, but is electronically protected against overload. The anti-rotation strap supplied with the actuator will prevent lateral movement.

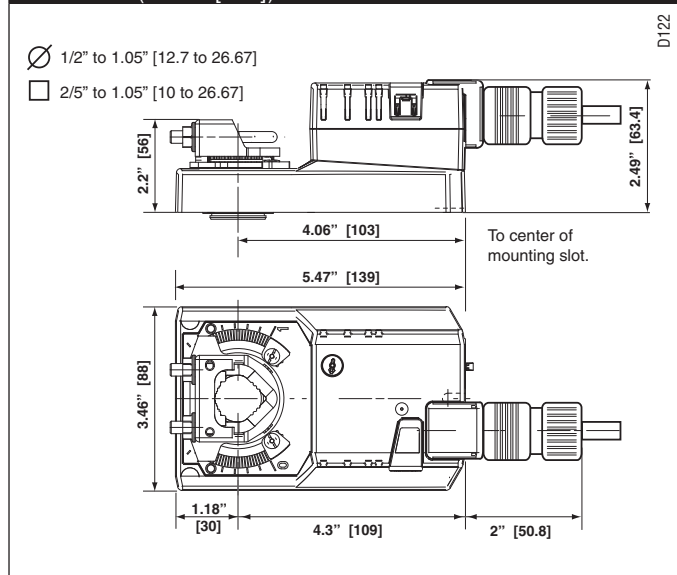
The AM... series provides 95° of rotation and a visual indicator indicates position of the actuator. When reaching the damper or actuator end position, the actuator automatically stops. The gears can be manually disengaged with a button on the actuator cover.

The AM...24-3... actuators use a sensorless Brushless DC motor, which is controlled by an Application Specific Integrated Circuit (ASIC). The ASIC monitors and controls the actuator's rotation and provides a digital rotation sensing (DRS) function to prevent damage to the actuator in a stall condition. Power consumption is reduced in holding mode.

The AM...24-3-S version is provided with 1 built-in auxiliary switch. This SPDT switch is provided for safety interfacing or signaling, for example, for fan start-up. The switching function is adjustable 0 to 95°. The auxiliary switch is double insulated so an electrical ground connection is not necessary.

Add on auxiliary switches or feedback potentiometers are easily fastened directly onto the actuator body for signaling and switching functions.

## Dimensions (Inches [mm])



K20901 - 01/09 - Subject to change. © Belimo Aircontrols (USA), Inc.

### Accessories

K-SA	Reversible Clamp
ZG-100	Universal Mounting Bracket
ZG-101	Universal Mounting Bracket
ZG-103	Universal Mounting Bracket
ZG-104	Universal Mounting Bracket
Z-SMA	AM/SM to AM Retrofit Mounting Bracket
ZG-NMA	Crankarm Adaptor Kit
AV8-25	Universal Shaft Extension
ZG-JSA (-1, 2,3)	Jackshaft Adaptors for Hollow Jackshafts
ZS-T	Terminal Cover for NEMA 2
ZS-100	Weather Shield - Steel
ZS-150	Weather Shield - Polycarbonate
ZS-260	Explosion Proof Housing
ZS-300 (-1) (-5)	NEMA 4X Housing
Tool-06	8 mm & 10 mm Wrench
PS-100	Actuator Power Supply Simulator
S1A, S2A	Auxiliary Switch (es)
P370	Shaft Mount Auxiliary Switch
P...A	Feedback Potentiometers

**NOTE:** When using AM...24-3... actuators, only use accessories listed on this page.

### Typical Specification

Floating point, on/off control damper actuators shall be electronic direct-coupled type, which require no crankarm and linkage and be capable of direct mounting to a shaft up to 1.05" diameter. Actuators shall have Brushless DC motor technology and be protected from overload at all angles of rotation. Actuators shall have reversing switch and manual override on the cover. If required, actuators shall be provided with one adjustable SPDT auxiliary switch. Actuators with auxiliary switches must be constructed to meet the requirements for double insulation so an electrical ground is not required to meet agency listings. If required, actuators will be provided with a screw terminal strip for electrical connections (AMX24-3-T). Run time shall be constant and independent of torque. Actuators shall be cULus listed, have a 5-year warranty, and be manufactured under ISO 9001 International Quality Control Standards. Actuators shall be as manufactured by Belimo.

### Wiring Diagrams

#### ✂ INSTALLATION NOTES

- 1 Provide overload protection and disconnect as required.
- 3 Actuators may also be powered by 24 VDC.

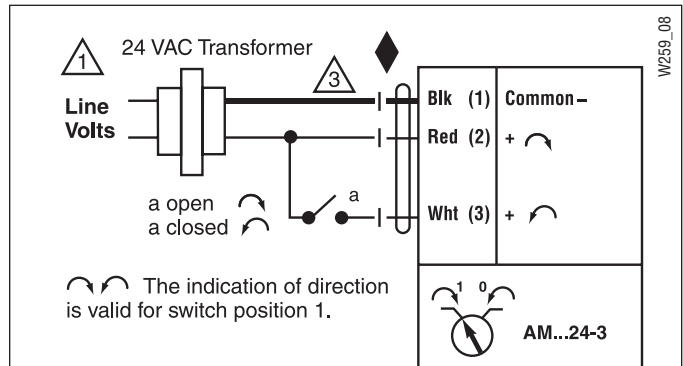
For end position indication, interlock control, fan startup, etc., AMB24-3-S incorporates one built-in auxiliary switches: 1 x SPDT, 3A (0.5A) @250 VAC, UL Approved, adjustable 0 to 95.

#### 📄 APPLICATION NOTES

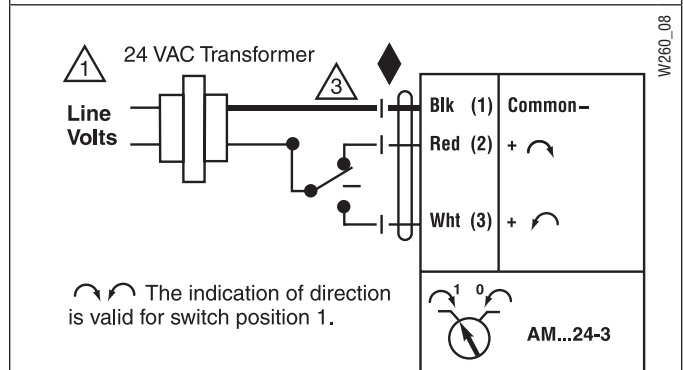
- ◆ Meets cULus or UL and CSA Standard requirements without the need of an electrical ground connection.

#### ⚠ WARNING Live Electrical Components!

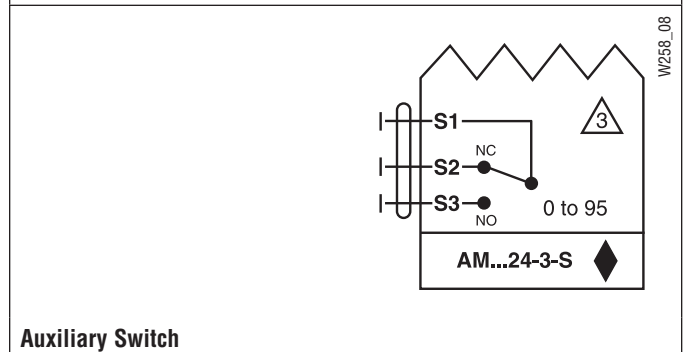
During installation, testing, servicing and troubleshooting of this product, it may be necessary to work with live electrical components. Have a qualified licensed electrician or other individual who has been properly trained in handling live electrical components perform these tasks. Failure to follow all electrical safety precautions when exposed to live electrical components could result in death or serious injury.



#### On/Off control



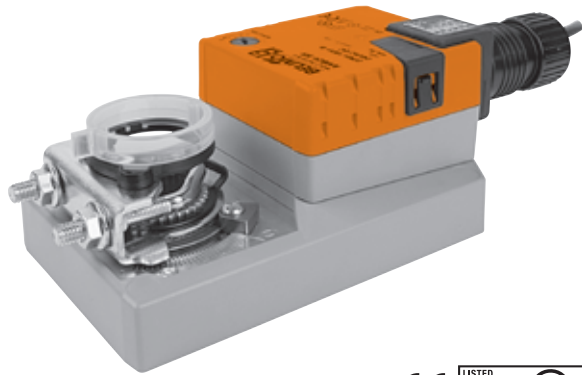
#### Floating Point or On/Off control



#### Auxiliary Switch

# AMX120-3

On/Off, Floating Point Control, Non-Spring Return, Direct Coupled, 100 to 240 VAC



Technical Data	AMX120-3
Power Supply	100 to 240 VAC, 50/60 Hz (nominal) 85 to 265 VAC, 50/60 Hz (tolerance)
Power Consumption	3 W (0.6 W)
Transformer Sizing	7 VA (Class 2 power source)
Electrical Connection	18 GA appliance rated cable 1/2" conduit connector Protected NEMA 2 (IP54) <input type="checkbox"/> 3 ft [1m] <input type="checkbox"/> 10 ft [3m] <input type="checkbox"/> 16 ft [5m]
Overload Protection	electronic throughout 0 to 95° rotation
Control	on/off, floating point
Input Impedance	600 Ω
Angle of Rotation	max. 95°, adjust. with mechanical stop
Torque	180 in-lb [20 Nm]
Direction of Rotation	reversible with  switch
Position Indication	reflective visual indicator (snap-on)
Manual Override	external push button
Running Time	<input type="checkbox"/> 300 <input type="checkbox"/> 150 <input type="checkbox"/> 95 seconds constant independent of load
Humidity	5 to 95% RH non condensing (EN 60730-1)
Ambient Temperature	-22°F to 122°F [-30°C to 50°C]
Storage Temperature	-40°F to 176°F [-40°C to 80°C]
Housing	NEMA 2/IP54
Housing Material	NEMA 2, IP54, UL enclosure type 2
Agency Listings†	cULus acc. to UL 60730-1A/-2-14, CAN/CSA E60730-1:02, CE acc. to 2004/108/EEC and 2006/95/EC
Noise Level	<45dB(A)
Servicing	maintenance free
Quality Standard	ISO 9001
Weight	2.2 lbs [1.0 Kg]

†Rated Impulse Voltage 4kV, Type of action 1, Control Pollution Degree 3

Torque min. 180 in-lb for control of damper surfaces up to 45 sq ft.

## Application

For on/off and floating point control of dampers in HVAC systems. Actuator sizing should be done in accordance with the damper manufacturer's specifications.

The actuator is mounted directly to a damper shaft up to 1.05" in diameter by means of its universal clamp, self-centered default. A crankarm and several mounting brackets are available for applications where the actuator cannot be direct coupled to the damper shaft.

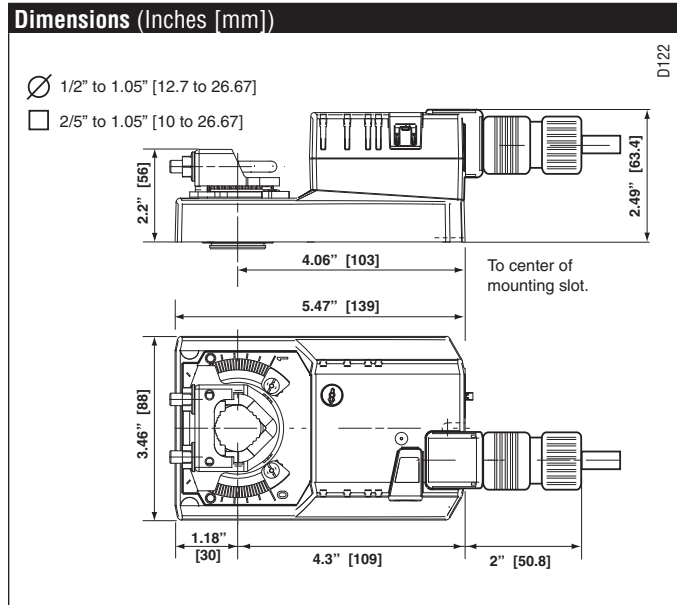
## Operation

The actuator is not provided with and does not require any limit switches, but is electronically protected against overload. The anti-rotation strap supplied with the actuator will prevent lateral movement.

The AMX series provides 95° of rotation and a visual indicator indicates position of the actuator. When reaching the damper or actuator end position, the actuator automatically stops. The gears can be manually disengaged with a button on the actuator cover.

The AMX120-3 actuators use a sensorless Brushless DC motor, which is controlled by an Application Specific Integrated Circuit (ASIC). The ASIC monitors and controls the actuator's rotation and provides a digital rotation sensing (DRS) function to prevent damage to the actuator in a stall condition. Power consumption is reduced in holding mode.

Add on auxiliary switches or feedback potentiometers are easily fastened directly onto the actuator body for signaling and switching functions.



K20901 - 01/09 - Subject to change. © Belimo Aircontrols (USA), Inc.

### Accessories

K-SA	Reversible Clamp
ZG-100	Universal Mounting Bracket
ZG-101	Universal Mounting Bracket
ZG-103	Universal Mounting Bracket
ZG-104	Universal Mounting Bracket
Z-SMA	AM/SM to AM Retrofit Mounting Bracket
ZG-NMA	Crankarm Adaptor Kit
AV8-25	Universal Shaft Extension
ZG-JSA (-1, 2,3)	Jackshaft Adaptors for Hollow Jackshafts
ZS-100	Weather Shield - Steel
ZS-150	Weather Shield - Polycarbonate
ZS-260	Explosion Proof Housing
ZS-300 (-1) (-5)	NEMA 4X Housing
Tool-06	8 mm & 10 mm Wrench
PS-100	Actuator Power Supply Simulator
S1A, S2A	Auxiliary Switch (es)
P370	Shaft Mount Auxiliary Switch
P...A	Feedback Potentiometers

**NOTE:** When using AMX120-3 actuators, only use accessories listed on this page.

### Typical Specification

Floating point, on/off control damper actuators shall be electronic direct-coupled type, which require no crankarm and linkage and be capable of direct mounting to a shaft up to 1.05" diameter. Actuators shall have Brushless DC motor technology and be protected from overload at all angles of rotation. Actuators shall have reversing switch and manual override on the cover. Run time shall be constant and independent of torque. Actuators shall be cULus listed, have a 5-year warranty, and be manufactured under ISO 9001 International Quality Control Standards. Actuators shall be as manufactured by Belimo.

### Wiring Diagram

#### ✂ INSTALLATION NOTES

1 Provide overload protection and disconnect as required.

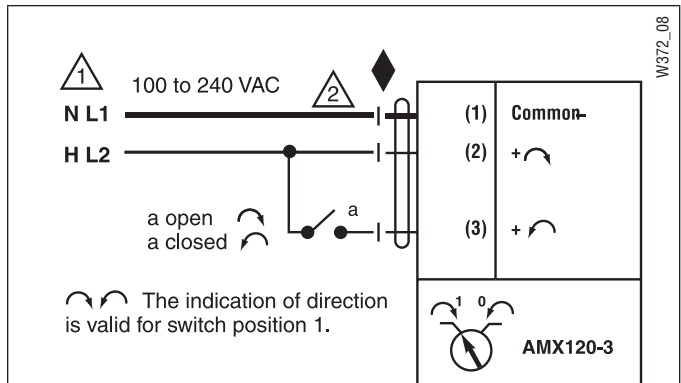
2 **CAUTION Equipment damage!**  
Actuators may be connected in parallel.  
Power consumption and input impedance must be observed.

#### 📄 APPLICATION NOTES

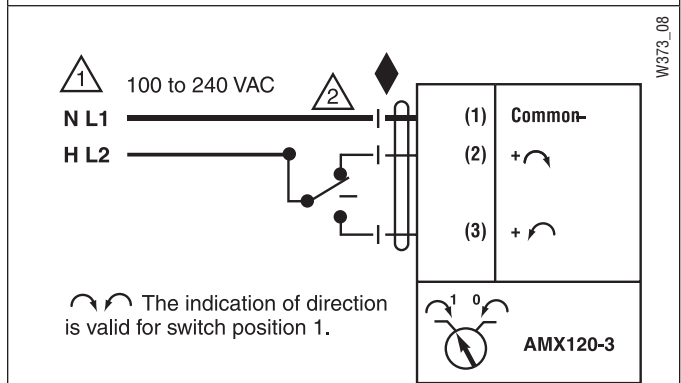
◆ Meets cULus or UL and CSA Standard requirements without the need of an electrical ground connection.

#### ⚠ WARNING Live Electrical Components!

During installation, testing, servicing and troubleshooting of this product, it may be necessary to work with live electrical components. Have a qualified licensed electrician or other individual who has been properly trained in handling live electrical components perform these tasks. Failure to follow all electrical safety precautions when exposed to live electrical components could result in death or serious injury.



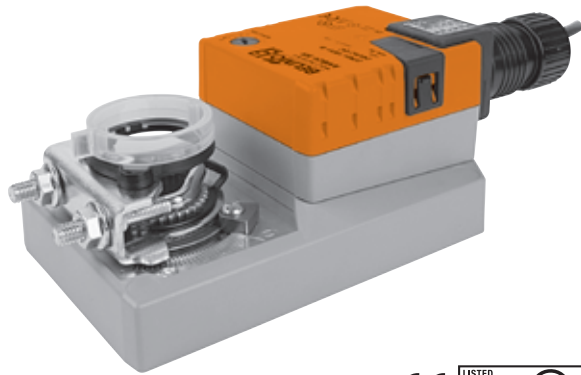
#### On/Off control



#### Floating Point or On/Off control

# AMB(X)24-SR

Proportional Control, Non-Spring Return, Direct Coupled, 24V, for 2 to 10 VDC and 4 to 20 mA



Technical Data	AMB(X)24-SR
Power Supply	24 VAC $\pm$ 20% 50/60 Hz 24 VDC $\pm$ 10%
Power Consumption	2.5 W (0.4 W)
Transformer Sizing	5 VA (Class 2 power source)
Electrical Connection	18 GA plenum rated cable 1/2" conduit connector Protected NEMA 2 (IP54) <input type="checkbox"/> 3 ft [1m] <input type="checkbox"/> 10 ft [3m] <input type="checkbox"/> 16 ft [5m]
Overload Protection	electronic throughout 0 to 95° rotation
Operating Range Y	2 to 10 VDC, 4 to 20 mA
Input Impedance	100 k $\Omega$ (0.1 mA), 500 $\Omega$
Feedback Output U	2 to 10 VDC (max 0.5 mA)
Angle of Rotation	max. 95°, adjust. with mechanical stop
Torque	180 in-lb [20 Nm]
Direction of Rotation	reversible with  switch Actuator will move: =CCW with decreasing control signal (10 to 2V) =CW with decreasing control signal (10 to 2V)
Position Indication	reflective visual indicator (snap-on)
Manual Override	external push button
Running Time	<input type="checkbox"/> 300 <input type="checkbox"/> 150 <input type="checkbox"/> 95 seconds constant independent of load
Humidity	5 to 95% RH non condensing (EN 60730-1)
Ambient Temperature	-22°F to 122°F [-30°C to 50°C]
Storage Temperature	-40°F to 176°F [-40°C to 80°C]
Housing	NEMA 2, IP54, UL enclosure type 2
Housing Material	UL94-5VA
Agency Listings†	cULus acc. to UL 60730-1A/-2-14, CAN/CSA E60730-1:02, CE acc. to 2004/108/EEC and 2006/95/EC
Noise Level	<45dB(A)
Servicing	maintenance free
Quality Standard	ISO 9001
Weight	2.2 lbs [1000 Kg]

AMB(X)24-SR-T	
Electrical connection	screw terminal (for 26 to 14 GA wire) <input type="checkbox"/> unprotected (NEMA 1/IP20) <input type="checkbox"/> protected (NEMA 2/IP20)

†Rated Impulse Voltage 800V, Type of action 1, Control Pollution Degree 3.

Torque min. 180 in-lb for control of damper surfaces up to 45 sq ft.

## Application

For proportional modulation of dampers in HVAC systems. Actuator sizing should be done in accordance with the damper manufacturer's specifications.

The actuator is mounted directly to a damper shaft up to 1.05" in diameter by means of its universal clamp, 1/2" self-centered default. A crankarm and several mounting brackets are available for applications where the actuator cannot be direct coupled to the damper shaft.

The actuator operates in response to a 2 to 10 VDC, or with the addition of a 500  $\Omega$  resistor, a 4 to 20 mA control input from an electronic controller or positioner. A 2 to 10 VDC feedback signal is provided for position indication or master-slave applications.

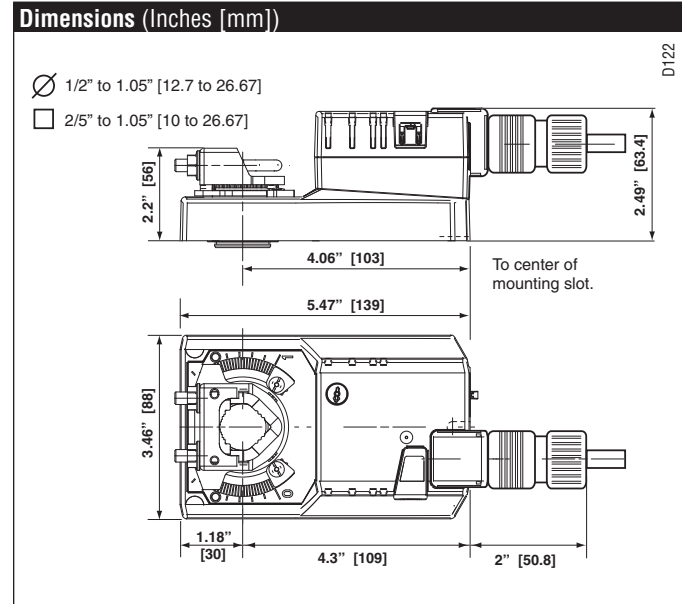
## Operation

The actuator is not provided with and does not require any limit switches, but is electronically protected against overload. The anti-rotation strap supplied with the actuator will prevent lateral movement.

The AMB(X) series provides 95° of rotation and a visual indicator indicates position of the actuator. When reaching the damper or actuator end position, the actuator automatically stops. The gears can be manually disengaged with a button on the actuator cover.

The AMB(X)24-SR... actuators use a sensorless Brushless DC motor, which is controlled by an Application Specific Integrated Circuit (ASIC). The ASIC monitors and controls the actuator's rotation and provides a digital rotation sensing (DRS) function to prevent damage to the actuator in a stall condition. Power consumption is reduced in holding mode.

Add on auxiliary switches or feedback potentiometers are easily fastened directly onto the actuator body for signaling and switching functions.



K20901 - 01/09 - Subject to change. © Belimo Aircontrols (USA), Inc.

Accessories	
K-SA	Reversible Clamp
ZG-100	Universal Mounting Bracket
ZG-101	Universal Mounting Bracket
ZG-103	Universal Mounting Bracket
ZG-104	Universal Mounting Bracket
Z-SMA	AM/SM to AM Retrofit Mounting Bracket
ZG-NMA	Crankarm Adaptor Kit
AV8-25	Universal Shaft Extension
ZG-JSA (-1, 2, 3)	Jackshaft Adaptors for Hollow Jackshafts
ZS-T	Terminal Cover NEMA 2
ZS-100	Weather Shield - Steel
ZS-150	Weather Shield - Polycarbonate
ZS-260	Explosion Proof Housing
ZS-300 (-1) (-5)	NEMA 4X Housing
Tool-06	8 mm & 10 mm Wrench
S1A, S2A	Auxiliary Switch (es)
P370	Shaft Mount Auxiliary Switch
P...A	Feedback Potentiometers
SGA24	Min positioners in NEMA 4 housing
SGF24	Min positioners for flush panel mounting
PTA-250	Pulse Width Modulation Interface
IRM-100	Input Rescaling Module
ADS-100	Analog to Digital Switch
ZG-R01	Resistor for 4 to 20 mA Conversion
NSV24 US	Battery Back-Up Module
ZG-X40	Transformer

NOTE: When using AMB(X)24-SR... actuators, only use accessories listed on this page.

### Typical Specification

Proportional control damper actuators shall be electronic direct-coupled type, which require no crankarm and linkage and be capable of direct mounting to a shaft up to 1.05" diameter. Actuators must provide proportional damper control in response to a 2 to 10 VDC or, with the addition of a 500 Ω resistor, a 4 to 20 mA control input from an electronic controller or positioner. Actuators shall have Brushless DC motor technology and be protected from overload at all angles of rotation. Actuators shall have reversing switch and manual override on the cover. If required, actuator will be provided with screw terminal strip for electrical connections (AMX24-SR-T). Run time shall be constant and independent of torque. A 2 to 10 VDC feedback signal shall be provided for position indication. Actuators shall be cULus listed, have a 5-year warranty, and be manufactured under ISO 9001 International Quality Control Standards. Actuators shall be as manufactured by Belimo.

### Wiring Diagram

#### ✂ INSTALLATION NOTES

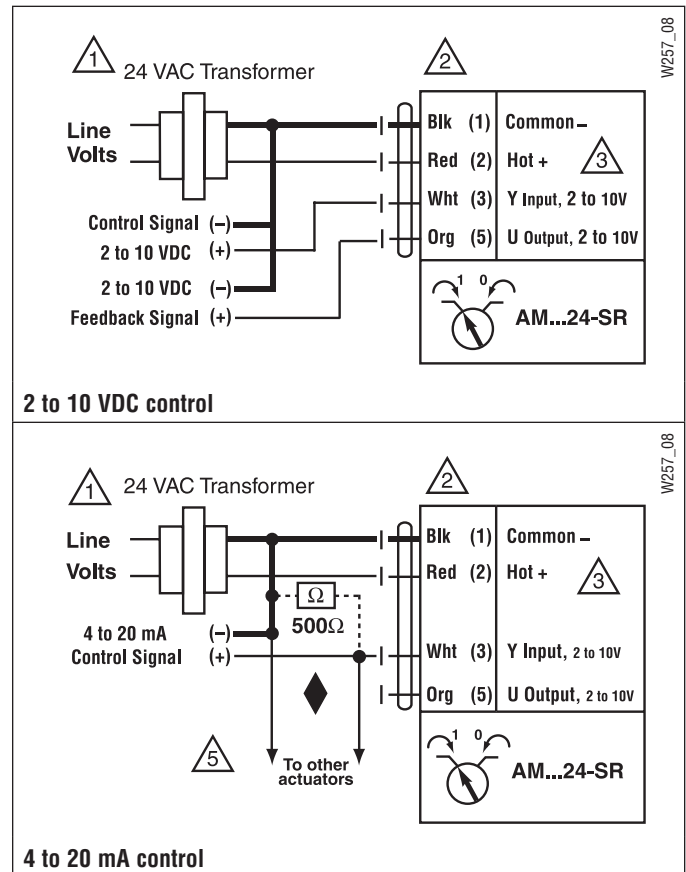
- 1 Provide overload protection and disconnect as required.
- 2 **CAUTION Equipment damage!**  
Actuators may be connected in parallel.  
Power consumption and input impedance must be observed.
- 3 Actuators may also be powered by 24 VDC.
- 5 Only connect common to neg. (-) leg of control circuits.

#### 📄 APPLICATION NOTES

- ◆ The ZG-R01 500 Ω resistor converts the 4 to 20 mA control signal to 2 to 10 VDC, up to 2 actuators may be connected in parallel.

#### ⚠ WARNING Live Electrical Components!

During installation, testing, servicing and troubleshooting of this product, it may be necessary to work with live electrical components. Have a qualified licensed electrician or other individual who has been properly trained in handling live electrical components perform these tasks. Failure to follow all electrical safety precautions when exposed to live electrical components could result in death or serious injury.





Technical Data	AMX120-SR
Power Supply	100 to 240 VAC, 50/60 Hz (nominal) 85 to 265 VAC, 50/60 Hz (tolerance)
Power Consumption	4 W (1 W)
Transformer Sizing	7.5 VA (Class 2 power source)
Electrical Connection	18 GA appliance rated cable 1/2" conduit connector Protected NEMA 2 (IP54) <input type="checkbox"/> 3 ft [1m] <input type="checkbox"/> 10 ft [3m] <input type="checkbox"/> 16 ft [5m]
Overload Protection	electronic throughout 0 to 95° rotation
Operating Range Y	2 to 10 VDC, 4 to 20 mA
Input Impedance	100 kΩ (0.1 mA), 500 Ω
Feedback Output U	2 to 10 VDC (max 0.5 mA)
Angle of Rotation	max. 95°, adjust. with mechanical stop
Torque	180 in-lb [20 Nm]
Direction of Rotation	reversible with  switch Actuator will move: =CCW with decreasing control signal (10 to 2V) =CW with decreasing control signal (10 to 2V)
Position Indication	reflective visual indicator (snap-on)
Manual Override	external push button
Running Time	<input type="checkbox"/> 300 <input type="checkbox"/> 150 <input type="checkbox"/> 95 seconds constant independent of load
Humidity	5 to 95% RH non condensing (EN 60730-1)
Ambient Temperature	-22°F to 122°F [-30°C to 50°C]
Storage Temperature	-40°F to 176°F [-40°C to 80°C]
Housing	NEMA 2, IP54, UL enclosure type 2
Housing Material	UL94-5VA
Agency Listings†	cULus acc. to UL 60730-1A/-2-14, CAN/CSA E60730-1:02, CE acc. to 2004/108/EEC and 2006/95/EC
Noise Level	<45dB(A)
Servicing	maintenance free
Quality Standard	ISO 9001
Weight	2.2 lbs [1.0 Kg]

†Rated Impulse Voltage 4kV, Type of action 1, Control Pollution Degree 3.

Torque min. 180 in-lb for control of damper surfaces up to 45 sq ft.

## Application

For proportional modulation of dampers in HVAC systems. Actuator sizing should be done in accordance with the damper manufacturer's specifications.

The actuator is mounted directly to a damper shaft up to 1.05" in diameter by means of its universal clamp, 1/2" self-centered default. A crankarm and several mounting brackets are available for applications where the actuator cannot be direct coupled to the damper shaft.

The actuator operates in response to a 2 to 10 VDC, or with the addition of a 500 Ω resistor, a 4 to 20 mA control input from an electronic controller or positioner. A 2 to 10 VDC feedback signal is provided for position indication or master-slave applications.

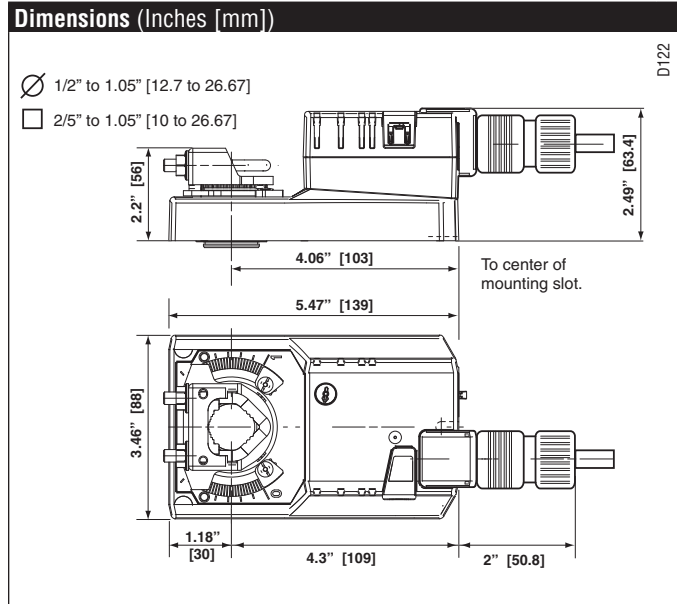
## Operation

The actuator is not provided with and does not require any limit switches, but is electronically protected against overload. The anti-rotation strap supplied with the actuator will prevent lateral movement.

The AMX series provides 95° of rotation and a visual indicator indicates position of the actuator. When reaching the damper or actuator end position, the actuator automatically stops. The gears can be manually disengaged with a button on the actuator cover.

The AMX120-SR actuators use a sensorless Brushless DC motor, which is controlled by an Application Specific Integrated Circuit (ASIC). The ASIC monitors and controls the actuator's rotation and provides a digital rotation sensing (DRS) function to prevent damage to the actuator in a stall condition. Power consumption is reduced in holding mode.

Add on auxiliary switches or feedback potentiometers are easily fastened directly onto the actuator body for signaling and switching functions.



K20901 - 01/09 - Subject to change. © Belimo Aircontrols (USA), Inc.

Accessories	
K-SA	Reversible Clamp
ZG-100	Universal Mounting Bracket
ZG-101	Universal Mounting Bracket
ZG-103	Universal Mounting Bracket
ZG-104	Universal Mounting Bracket
Z-SMA	AM/SM to AM Retrofit Mounting Bracket
ZG-NMA	Crankarm Adaptor Kit
AV8-25	Universal Shaft Extension
ZG-JSA (-1, 2, 3)	Jackshaft Adaptors for Hollow Jackshafts
ZS-100	Weather Shield - Steel
ZS-150	Weather Shield - Polycarbonate
ZS-260	Explosion Proof Housing
ZS-300 (-1) (-5)	NEMA 4X Housing
Tool-06	8 mm & 10 mm Wrench
S1A, S2A	Auxiliary Switch (es)
P370	Shaft Mount Auxiliary Switch
P...A	Feedback Potentiometers
SGA24	Min positioners in NEMA 4 housing
SGF24	Min positioners for flush panel mounting
PTA-250	Pulse Width Modulation Interface
IRM-100	Input Rescaling Module
ADS-100	Analog to Digital Switch
ZG-R01	Resistor for 4 to 20 mA Conversion
NSV24 US	Battery Back-Up Module
ZG-X40	Transformer

**NOTE:** When using AMX120-SR actuators, only use accessories listed on this page.

**Typical Specification**

Proportional control damper actuators shall be electronic direct-coupled type, which require no crankarm and linkage and be capable of direct mounting to a shaft up to 1.05" diameter. Actuators must provide proportional damper control in response to a 2 to 10 VDC or, with the addition of a 500 Ω resistor, a 4 to 20 mA control input from an electronic controller or positioner. Actuators shall have Brushless DC motor technology and be protected from overload at all angles of rotation. Actuators shall have reversing switch and manual override on the cover. Run time shall be constant and independent of torque. A 2 to 10 VDC feedback signal shall be provided for position indication. Actuators shall be cULus listed, have a 5-year warranty, and be manufactured under ISO 9001 International Quality Control Standards. Actuators shall be as manufactured by Belimo.

**Wiring Diagram**

**INSTALLATION NOTES**

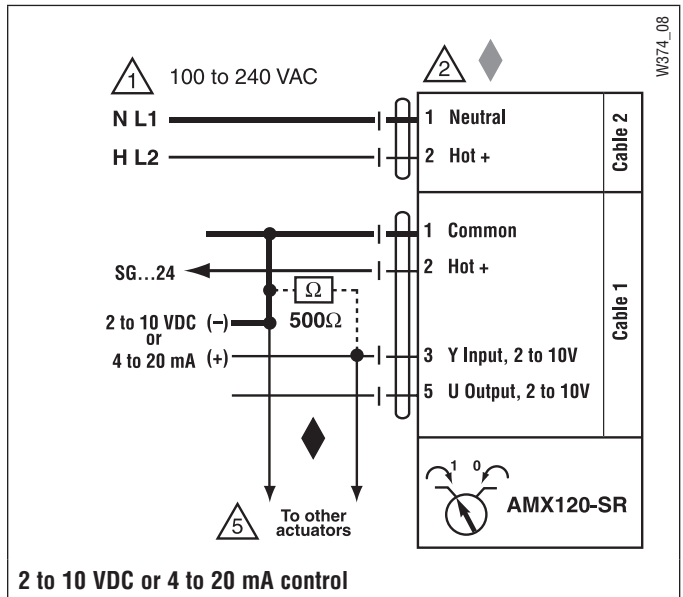
- 1 Provide overload protection and disconnect as required.
- 2 **CAUTION Equipment damage!**  
Actuators may be connected in parallel.  
Power consumption and input impedance must be observed.
- 5 Only connect common to neg. (-) leg of control circuits.

**APPLICATION NOTES**

- Meets cULus or UL and CSA Standard requirements without the need of an electrical ground connection.
- The ZG-R01 500 Ω resistor converts the 4 to 20 mA control signal to 2 to 10 VDC, up to 2 actuators may be connected in parallel.

**WARNING Live Electrical Components!**

During installation, testing, servicing and troubleshooting of this product, it may be necessary to work with live electrical components. Have a qualified licensed electrician or other individual who has been properly trained in handling live electrical components perform these tasks. Failure to follow all electrical safety precautions when exposed to live electrical components could result in death or serious injury.





MFT



Technical Data	AMB(X)24-MFT
Power Supply	24 VAC ± 20% 50/60 Hz 24 VDC ± 10%
Power Consumption	3.5 W (1.3 W)
Transformer Sizing	6 VA (Class 2 power source)
Electrical Connection	18 GA plenum rated cable 1/2" conduit connector Protected NEMA 2 (IP54) □ 3 ft [1m] □ 10 ft [3m] □ 16 ft [5m]
Overload Protection	electronic throughout 0 to 95° rotation
Operating Range Y	2 to 10 VDC, 4 to 20 mA (default) Variable (VDC, PWM, Floating Point, On/Off)
Input Impedance	100 kΩ (0.1 mA), 500 Ω 1500 W (PWM, Floating Point, On/Off)
Feedback Output U	2 to 10 VDC, 0.5 mA max VDC Variable
Angle of Rotation	max. 95°, adjust. with mechanical stop electronically variable
Torque	180 in-lb [20 Nm]
Direction of Rotation	reversible with  switch
Position Indication	reflective visual indicator (snap-on)
Manual Override	external push button
Running Time	150 seconds (default) Variable (90 to 350 secs)
Humidity	5 to 95% RH non condensing (EN 60730-1)
Ambient Temperature	-22°F to 122°F [-30°C to 50°C]
Storage Temperature	-40°F to 176°F [-40°C to 80°C]
Housing	NEMA 2, IP54, UL enclosure type 2
Housing Material	UL94-5VA
Agency Listings†	cULus acc. to UL 60730-1A/-2-14, CAN/CSA E60730-1:02, CE acc. to 2004/108/EEC and 2006/95/EC
Noise Level	<45dB(A)
Servicing	maintenance free
Quality Standard	ISO 9001
Weight	2.6 lbs [1.2 kg]

†Rated Impulse Voltage 800V, Type of action 1, Control Pollution Degree 3.

Torque min. 180 in-lb for control of damper surfaces up to 45 sq ft.

### Application

For proportional modulation of dampers in HVAC systems. Actuator sizing should be done in accordance with the damper manufacturer's specifications.

The actuator is mounted directly to a damper shaft up to 1.05" in diameter by means of its universal clamp, 1/2" self-centered default. A crankarm and several mounting brackets are available for applications where the actuator cannot be direct coupled to the damper shaft.

The default parameters for 2 to 10 VDC applications of the ...MFT actuator are assigned during manufacturing. If necessary, custom versions of the actuators can be ordered. The parameters can be changed by two means: pre-set and custom configurations from Belimo or on-site configurations using the Belimo PC-Tool software.

### Operation

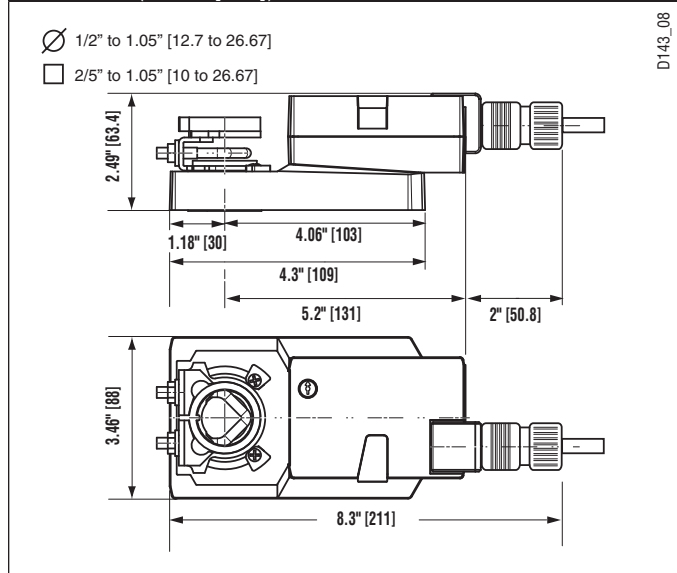
The actuator is not provided with and does not require any limit switches, but is electronically protected against overload. The anti-rotation strap supplied with the actuator will prevent lateral movement.

The AMB(X) series provides 95° of rotation and a visual indicator indicates position of the actuator. When reaching the damper or actuator end position, the actuator automatically stops. The gears can be manually disengaged with a button on the actuator cover.

The AMB(X)24-MFT actuators use a Brushless DC motor, which is controlled by an Application Specific Integrated Circuit (ASIC). The ASIC monitors and controls the actuator's rotation and provides a digital rotation sensing (DRS) function to prevent damage to the actuator in a stall condition. Power consumption is reduced in holding mode.

Add on auxiliary switches or feedback potentiometers are easily fastened directly onto the actuator body for signaling and switching functions.

### Dimensions (Inches [mm])



D143\_08

K20901 - 01/09 - Subject to change. © Belimo Aircontrols (USA), Inc.

#### Accessories

K-SA	Reversible Clamp
ZG-100	Universal Mounting Bracket
ZG-101	Universal Mounting Bracket
ZG-103	Universal Mounting Bracket
ZG-104	Universal Mounting Bracket
Z-SMA	AM/SM to AM Retrofit Mounting Bracket
ZG-AMA	Crankarm Adaptor Kit
AV8-25	Universal Shaft Extension
ZG-JSA (-1, 2, 3)	Jackshaft Adaptors for Hollow Jackshafts
ZS-100	Weather Shield - Steel
ZS-150	Weather Shield - Polycarbonate
ZS-260	Explosion Proof Housing
ZS-300 (-1) (-5)	NEMA 4X Housing
Tool-06	8 mm & 10 mm Wrench
S1A, S2A	Auxiliary Switch (es)
P370	Shaft Mount Auxiliary Switch
P...A	Feedback Potentiometers
SGA24	Min positioners in NEMA 4 housing
SGF24	Min positioners for flush panel mounting
ADS-100	Analog to Digital Switch
ZG-R01	Resistor for 4 to 20 mA Conversion
NSV24 US	Battery Back-Up Module
ZG-X40	Transformer

**NOTE:** When using AMB(X)24-MFT... actuators, only use accessories listed on this page.

#### Typical Specification

Proportional control damper actuators shall be electronic direct-coupled type, which require no crankarm and linkage and be capable of direct mounting to a shaft up to 1.05" diameter. Actuators must provide proportional damper control in response to a 2 to 10 VDC or, with the addition of a 500 Ω resistor, a 4 to 20 mA control input from an electronic controller or positioner. Actuators shall have Brushless DC motor technology and be protected from overload at all angles of rotation. Actuators shall have reversing switch and manual override on the cover. Run time shall be constant and independent of torque. Actuators shall be cULus listed, have a 5-year warranty, and be manufactured under ISO 9001 International Quality Control Standards. Actuators shall be as manufactured by Belimo.

#### Wiring Diagrams

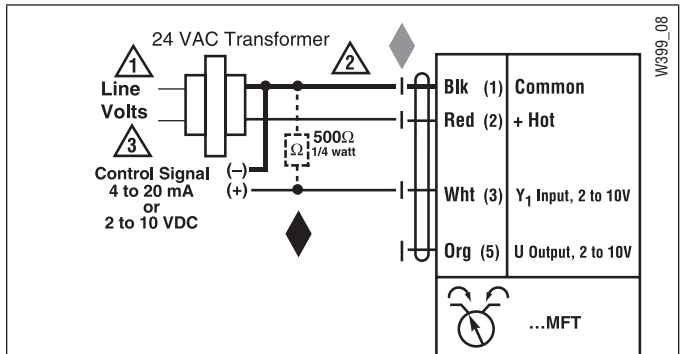
##### ✂️ INSTALLATION NOTES

- 1 Provide overload protection and disconnect as required.
- 2 **CAUTION Equipment damage!** Actuators may be connected in parallel if not mechanically mounted to the same shaft. Power consumption and input impedance must be observed.
- 3 Actuators may also be powered by 24 VDC.
- 4 Position feedback cannot be used with Triac sink controller. The actuator internal common reference is not compatible.
- 5 Control signal may be pulsed from either the Hot (source) or the Common (sink) 24 VAC line.
- 8 Contact closures A & B also can be triacs.
- 9 For triac sink the common connection from the actuator must be connected to the hot connection of the controller.

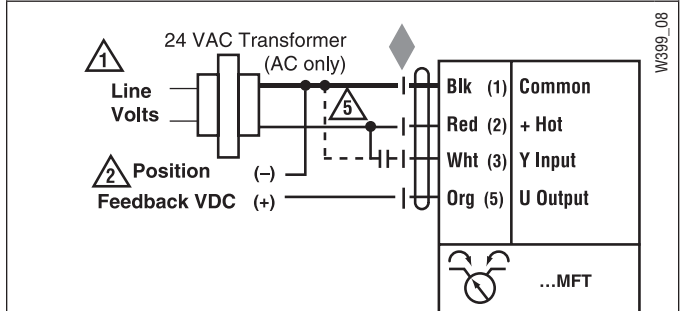
##### 📄 APPLICATION NOTES

- ◆ The ZG-R01 500 Ω resistor may be used.

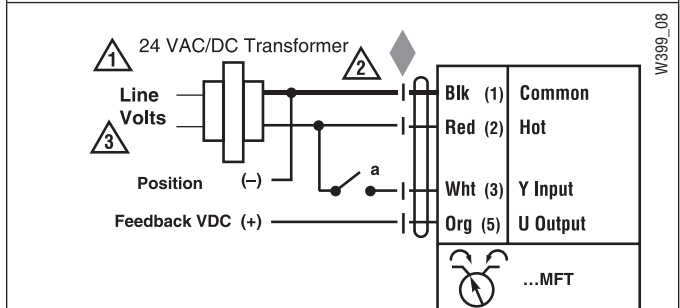
**⚠️ WARNING Live Electrical Components!** During installation, testing, servicing and troubleshooting of this product, it may be necessary to work with live electrical components. Have a qualified licensed electrician or other individual who has been properly trained in handling live electrical components perform these tasks. Failure to follow all electrical safety precautions when exposed to live electrical components could result in death or serious injury.



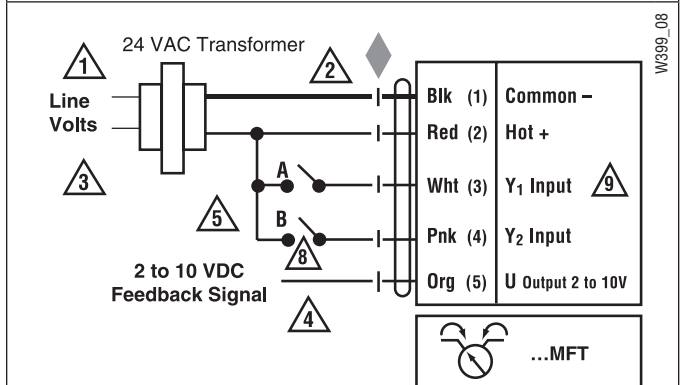
VDC/4-20 mA



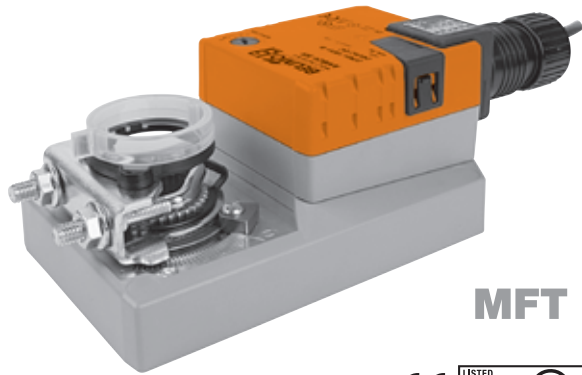
PWM



On/Off control



Floating Point control



MFT



Technical Data	AMCX24-MFT
Power Supply	24 VAC ± 20% 50/60 Hz 24 VDC ± 10%
Power Consumption	4 W (1.25 W)
Transformer Sizing	6 VA (Class 2 power source)
Electrical Connection	18 GA plenum rated cable 1/2" conduit connector Protected NEMA 2 (IP54) □ 3 ft [1m] □ 10 ft [3m] □ 16 ft [5m]
Overload Protection	electronic throughout 0 to 95° rotation
Operating Range Y	2 to 10 VDC, 4 to 20 mA (default) Variable (VDC, PWM, Floating Point, On/Off)
Input Impedance	100 kΩ (0.1 mA), 500 Ω 1500 W (PWM, Floating Point, On/Off)
Feedback Output U	2 to 10 VDC, 0.5 mA max VDC Variable
Angle of Rotation	max. 95°, adjust. with mechanical stop electronically variable
Torque	180 in-lb [20 Nm]
Direction of Rotation	reversible with  switch
Position Indication	reflective visual indicator (snap-on)
Manual Override	external push button
Running Time	35 seconds (default) Variable (35 to 120 secs)
Humidity	5 to 95% RH non condensing (EN 60730-1)
Ambient Temperature	-22°F to 122°F [-30°C to 50°C]
Storage Temperature	-40°F to 176°F [-40°C to 80°C]
Housing	NEMA 2, IP54, UL enclosure type 2
Housing Material	UL94-5VA
Agency Listings†	cULus acc. to UL 60730-1A/-2-14, CAN/CSA E60730-1:02, CE acc. to 2004/108/EEC and 2006/95/EC
Noise Level	<45dB(A)
Servicing	maintenance free
Quality Standard	ISO 9001
Weight	2.6 lbs [1.2 kg]

Torque min. 180 in-lb for control of damper surfaces up to 45 sq ft.

## Application

For proportional modulation of dampers in HVAC systems. Actuator sizing should be done in accordance with the damper manufacturer's specifications.

The actuator is mounted directly to a damper shaft up to 1.05" in diameter by means of its universal clamp, 1/2" self-centered default. A crankarm and several mounting brackets are available for applications where the actuator cannot be direct coupled to the damper shaft.

The default parameters for 2 to 10 VDC applications of the ...MFT actuator are assigned during manufacturing. If necessary, custom versions of the actuators can be ordered. The parameters can be changed by two means: pre-set and custom configurations from Belimo or on-site configurations using the Belimo PC-Tool software.

## Operation

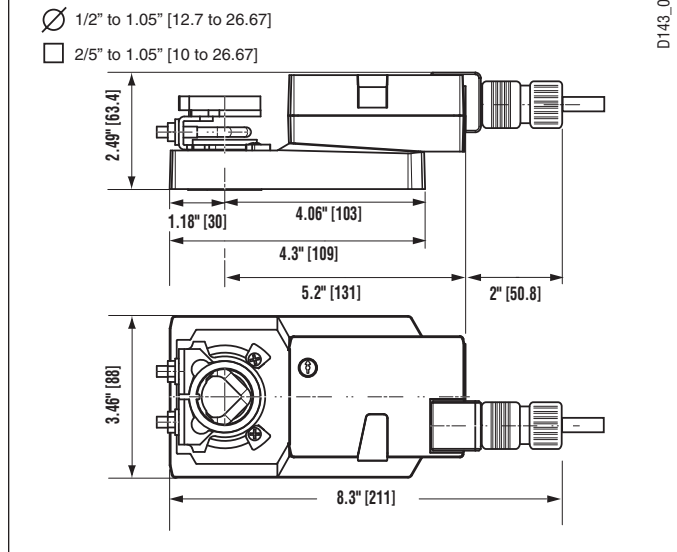
The actuator is not provided with and does not require any limit switches, but is electronically protected against overload. The anti-rotation strap supplied with the actuator will prevent lateral movement.

The AMX series provides 95° of rotation and a visual indicator indicates position of the actuator. When reaching the damper or actuator end position, the actuator automatically stops. The gears can be manually disengaged with a button on the actuator cover.

The AMCX24-MFT actuators use a Brushless DC motor, which is controlled by an Application Specific Integrated Circuit (ASIC). The ASIC monitors and controls the actuator's rotation and provides a digital rotation sensing (DRS) function to prevent damage to the actuator in a stall condition. Power consumption is reduced in holding mode.

Add on auxiliary switches or feedback potentiometers are easily fastened directly onto the actuator body for signaling and switching functions

## Dimensions (Inches [mm])



K20901 - 01/09 - Subject to change. © Belimo Aircontrols (USA), Inc.

#### Accessories

K-SA	Reversible Clamp
ZG-100	Universal Mounting Bracket
ZG-101	Universal Mounting Bracket
ZG-103	Universal Mounting Bracket
ZG-104	Universal Mounting Bracket
Z-SMA	AM/SM to AM Retrofit Mounting Bracket
ZG-AMA	Crankarm Adaptor Kit
AV8-25	Universal Shaft Extension
ZG-JSA (-1, 2, 3)	Jackshaft Adaptors for Hollow Jackshafts
ZS-100	Weather Shield - Steel
ZS-150	Weather Shield - Polycarbonate
ZS-260	Explosion Proof Housing
ZS-300 (-1) (-5)	NEMA 4X Housing
Tool-06	8 mm & 10 mm Wrench
S1A, S2A	Auxiliary Switch(es)
P370	Shaft Mount Auxiliary Switch
P...A	Feedback Potentiometers
SGA24	Min positioners in NEMA 4 housing
SGF24	Min positioners for flush panel mounting
ADS-100	Analog to Digital Switch
ZG-R01	Resistor for 4 to 20 mA Conversion
NSV24	US Battery Back-Up Module
ZG-X40	Transformer

Note: When using AMCX24-MFT... actuators, only use accessories listed on this page.

#### Typical Specification

Proportional control damper actuators shall be electronic direct coupled type, which require no crankarm and linkage and be capable of direct mounting to a shaft up to 1.05" diameter. Actuators must provide proportional damper control in response to a 2 to 10 VDC or, with the addition of a 500 Ω resistor, a 4 to 20 mA control input from an electronic controller or positioner. Actuators shall have Brushless DC motor technology and be protected from overload at all angles of rotation. Actuators shall have reversing switch and manual override on the cover. Run time shall be constant and independent of torque. Actuators shall be cULus listed, have a 5-year warranty, and be manufactured under ISO 9001 International Quality Control Standards. Actuators shall be as manufactured by Belimo.

#### Wiring Diagrams

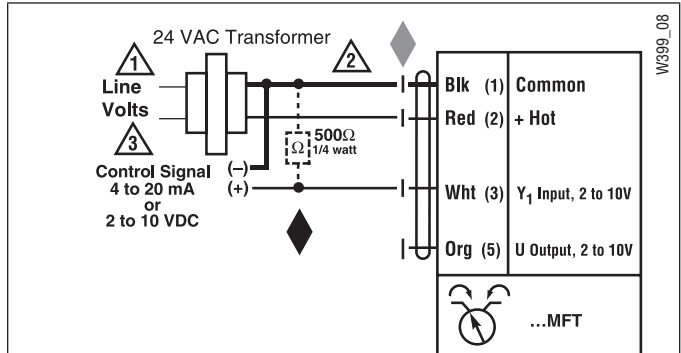
##### ✂️ INSTALLATION NOTES

- 1 Provide overload protection and disconnect as required.
- 2 **CAUTION Equipment damage!** Actuators may be connected in parallel if not mechanically mounted to the same shaft. Power consumption and input impedance must be observed.
- 3 Actuators may also be powered by 24 VDC.
- 4 Position feedback cannot be used with Triac sink controller. The actuator internal common reference is not compatible.
- 5 Control signal may be pulsed from either the Hot (source) or the Common (sink) 24 VAC line.
- 8 Contact closures A & B also can be triacs. A & B should both be closed for triac source and open for triac sink.
- 9 For triac sink the common connection from the actuator must be connected to the hot connection of the controller.

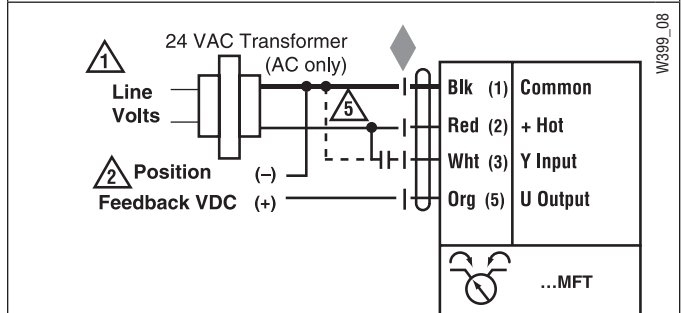
##### 📄 APPLICATION NOTES

- ◆ The ZG-R01 500 Ω resistor may be used.

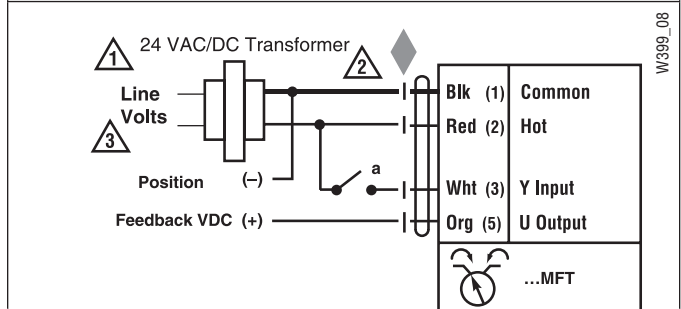
**⚠️ WARNING Live Electrical Components!**  
During installation, testing, servicing and troubleshooting of this product, it may be necessary to work with live electrical components. Have a qualified licensed electrician or other individual who has been properly trained in handling live electrical components perform these tasks. Failure to follow all electrical safety precautions when exposed to live electrical components could result in death or serious injury.



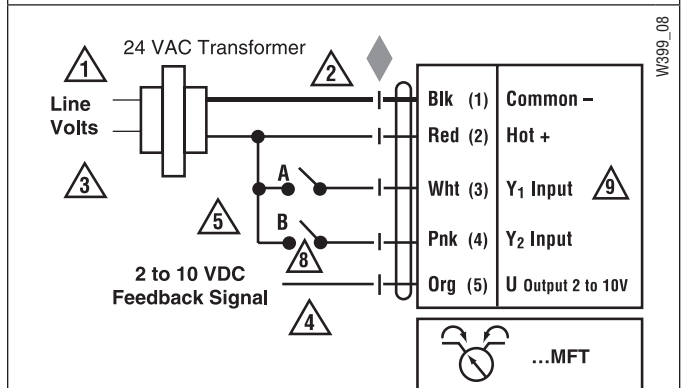
VDC/4-20 mA



PWM



On/Off control



Floating Point control



MFT



Technical Data	AMX24-MFT95
Power Supply	24 VAC ± 20% 50/60 Hz 24 VDC ± 10%
Power Consumption	3.5 W (1.3 W)
Transformer Sizing	6 VA (Class 2 power source)
Electrical Connection	18 GA plenum rated cable 1/2" conduit connector Protected NEMA 2 (IP54) □ 3 ft [1m] □ 10 ft [3m] □ 16 ft [5m]
Overload Protection	electronic throughout 0 to 95° rotation
Operating Range WRB	0 to 135 Ω Honeywell Electronic Series 90, 0 to 135 Ω input
Feedback Output U	2 to 10 VDC, 0.5 mA max
Angle of Rotation	max. 95°, adjust. with mechanical stop electronically variable
Torque	180 in-lb [20 Nm]
Direction of Rotation	reversible with  switch
Position Indication	reflective visual indicator (snap-on)
Manual Override	external push button
Running Time	150 seconds (default) Variable (90 to 350 secs)
Humidity	5 to 95% RH non condensing (EN 60730-1)
Ambient Temperature	-22°F to 122°F [-30°C to 50°C]
Storage Temperature	-40°F to 176°F [-40°C to 80°C]
Housing	NEMA 2, IP54, UL enclosure type 2
Housing Material	UL94-5VA
Agency Listings†	cULus acc. to UL 60730-1A/-2-14, CAN/CSA E60730-1:02, CE acc. to 2004/108/EEC and 2006/95/EC
Noise Level	<45dB(A)
Servicing	maintenance free

Torque min. 180 in-lb for control of damper surfaces up to 45 sq ft.

### Application

For proportional modulation of dampers in HVAC systems. Actuator sizing should be done in accordance with the damper manufacturer's specifications.

The actuator is mounted directly to a damper shaft up to 1.05" in diameter by means of its universal clamp, 1/2" self-centered default. A crankarm and several mounting brackets are available for applications where the actuator cannot be direct coupled to the damper shaft.

The default parameters for 0 to 135 Ω input applications of the ...MFT95 actuator are assigned during manufacturing. If necessary, custom versions of the actuators can be ordered. The parameters can be changed by two means: pre-set and custom configurations from Belimo or on-site configurations using the Belimo PC-Tool software.

### Operation

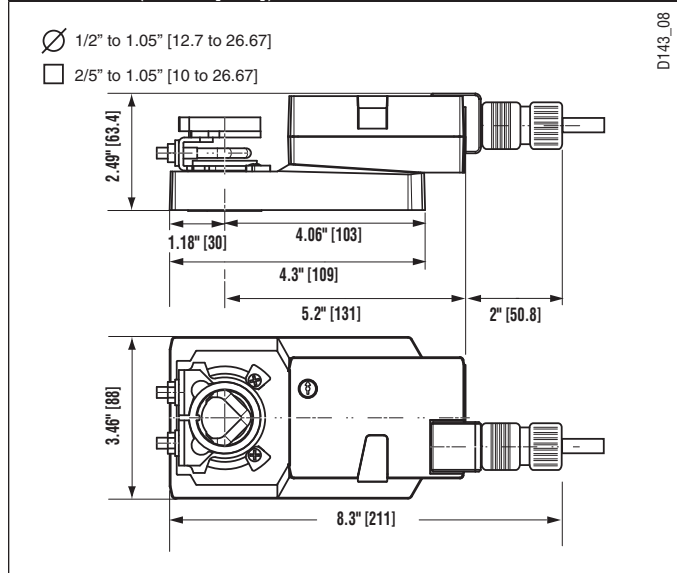
The actuator is not provided with and does not require any limit switches, but is electronically protected against overload. The anti-rotation strap supplied with the actuator will prevent lateral movement.

The AMX series provides 95° of rotation and a visual indicator indicates position of the actuator. When reaching the damper or actuator end position, the actuator automatically stops. The gears can be manually disengaged with a button on the actuator cover.

The AMX24-MFT95 actuators use a Brushless DC motor, which is controlled by an Application Specific Integrated Circuit (ASIC). The ASIC monitors and controls the actuator's rotation and provides a digital rotation sensing (DRS) function to prevent damage to the actuator in a stall condition. Power consumption is reduced in holding mode.

Add on auxiliary switches or feedback potentiometers are easily fastened directly onto the actuator body for signaling and switching functions.

### Dimensions (Inches [mm])



K20901 - 01/09 - Subject to change. © Belimo Aircontrols (USA), Inc.

### Accessories

K-SA	Reversible Clamp
ZG-100	Universal Mounting Bracket
ZG-101	Universal Mounting Bracket
ZG-103	Universal Mounting Bracket
ZG-104	Universal Mounting Bracket
Z-SMA	AM/SM to AM Retrofit Mounting Bracket
ZG-AMA	Crankarm Adaptor Kit
AV8-25	Universal Shaft Extension
ZG-JSA (-1, 2, 3)	Jackshaft Adaptors for Hollow Jackshafts
ZS-100	Weather Shield - Steel
ZS-150	Weather Shield - Polycarbonate
ZS-260	Explosion Proof Housing
ZS-300 (-1) (-5)	NEMA 4X Housing
Tool-06	8 mm & 10 mm Wrench
S1A, S2A	Auxiliary Switch (es)
P370	Shaft Mount Auxiliary Switch
P...A	Feedback Potentiometers
NSV24 US	Battery Back-Up Module
ZG-X40	Transformer

**NOTE:** When using AMX24-MFT95... actuators, only use accessories listed on this page.

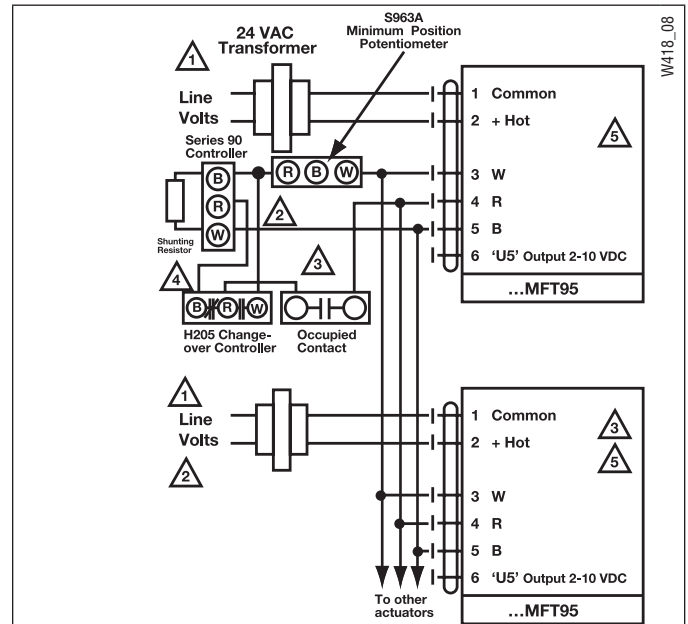
### Typical Specification

Proportional control damper actuators shall be electronic direct-coupled type, which require no crankarm and linkage and be capable of direct mounting to a shaft up to 1.05" diameter. Actuators must provide proportional damper control in response to 0 to 135 Ω control input from an electronic controller or positioner. Actuators shall have Brushless DC motor technology and be protected from overload at all angles of rotation. Actuators shall have reversing switch and manual override on the cover. Run time shall be constant and independent of torque. Actuators shall be cULus listed, have a 5-year warranty, and be manufactured under ISO 9001 International Quality Control Standards. Actuators shall be as manufactured by Belimo.

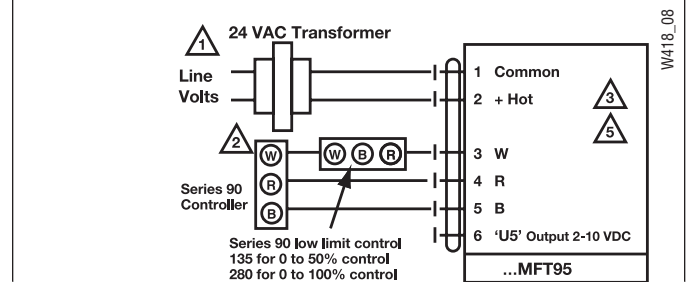
### Wiring Diagrams

#### ✂ INSTALLATION NOTES

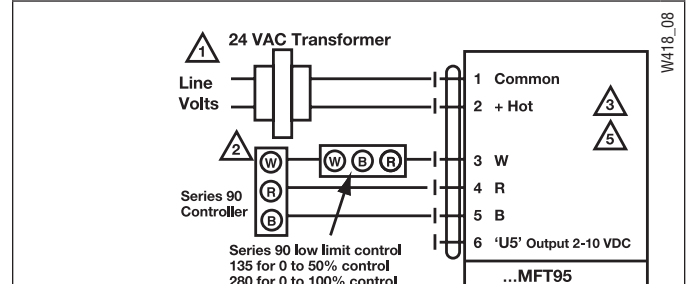
- 1 Provide overload protection and disconnect as required.
- 2 Actuators and controller must have separate transformers.
- 3 Consult controller instruction data for more detailed installation information.
- 4 Resistor value depends on the type of controller and the number of actuators. No resistor is used for one actuator. Honeywell resistor kits may also be used.
- 5 To reverse control rotation, use the reversing switch.



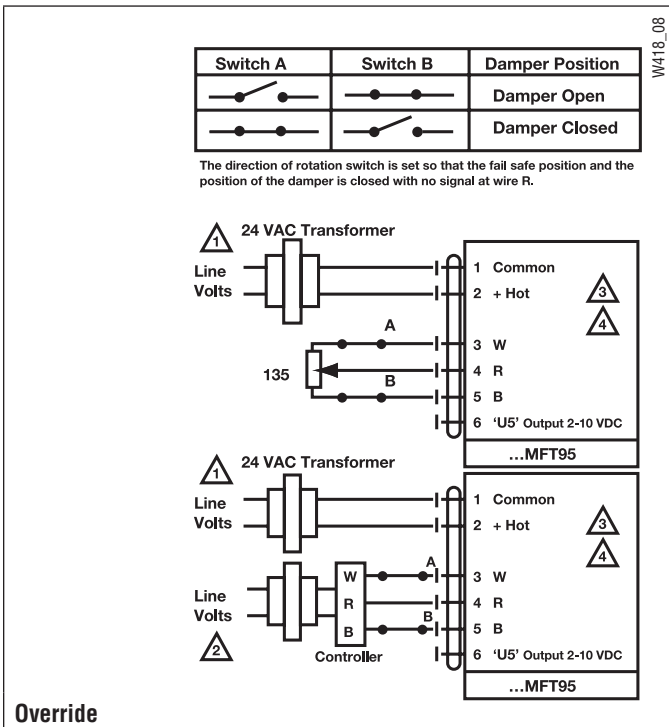
Wiring multiple actuators to a Series 90 controller using a minimum position potentiometer.



Low Limit Control



High Limit Control



Override



Technical Data	AMX24-PC
Power Supply	24 VAC ± 20% 50/60 Hz 24 VDC ± 10%
Power Consumption	3.5 W (1.3 W)
Transformer Sizing	5.5 VA (Class 2 power source)
Electrical Connection	18 GA plenum rated cable 1/2" conduit connector Protected NEMA 2 (IP54) □ 3 ft [1m] □ 10 ft [3m] □ 16 ft [5m]
Overload Protection	electronic throughout 0 to 95° rotation
Operating Range Y	0 to 20V Phasecut
Input Impedance	8 kΩ (50 mW)
Feedback Output U	2 to 10 VDC, 0.5 mA max VDC Variable
Angle of Rotation	max. 95°, adjust. with mechanical stop electronically variable
Torque	180 in-lb [20 Nm]
Direction of Rotation	reversible with  switch
Position Indication	reflective visual indicator (snap-on)
Manual Override	external push button
Running Time	150 seconds (default)
Humidity	5 to 95% RH non condensing (EN 60730-1)
Ambient Temperature	-22°F to 122°F [-30°C to 50°C]
Storage Temperature	-40°F to 176°F [-40°C to 80°C]
Housing	NEMA 2, IP54, UL enclosure type 2
Housing Material	UL94-5VA
Agency Listings†	cULus acc. to UL 60730-1A/-2-14, CAN/CSA E60730-1:02, CE acc. to 2004/108/EEC and 2006/95/EC
Noise Level	<45dB(A)
Servicing	maintenance free
Quality Standard	ISO 9001
Weight	2.6 lbs [1.2 kg]

†Rated Impulse Voltage 800V, Type of action 1, Control Pollution Degree 3.

**Torque min. 180 in-lb for control of damper surfaces up to 45 sq ft.**

### Application

For proportional modulation of dampers in HVAC systems. Actuator sizing should be done in accordance with the damper manufacturer's specifications.

The actuator is mounted directly to a damper shaft up to 1.05" in diameter by means of its universal clamp, 1/2" self-centered default. A crankarm and several mounting brackets are available for applications where the actuator cannot be direct coupled to the damper shaft.

The actuator operates in response to 0 to 20V phasecut control input from an electronic controller or positioner. A 2 to 10 VDC feedback signal is provided for position indication.

### Operation

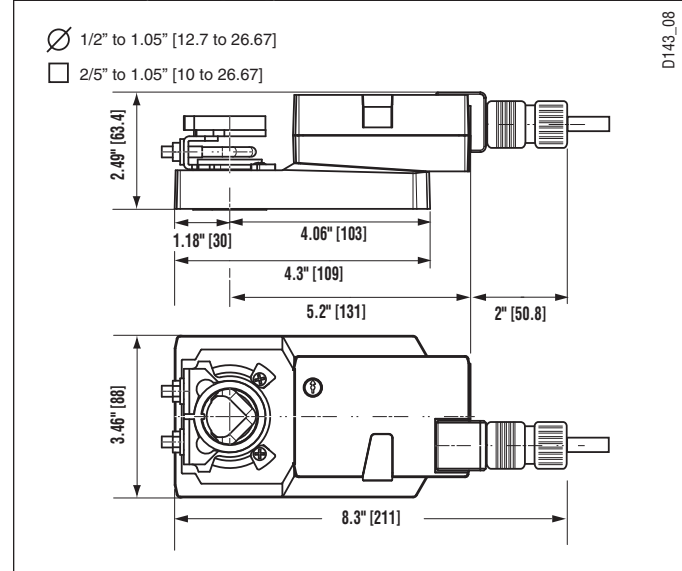
The actuator is not provided with and does not require any limit switches, but is electronically protected against overload. The anti-rotation strap supplied with the actuator will prevent lateral movement.

The AMX series provides 95° of rotation and a visual indicator indicates position of the actuator. When reaching the damper or actuator end position, the actuator automatically stops. The gears can be manually disengaged with a button on the actuator cover.

The AMX24-PC actuators use a Brushless DC motor, which is controlled by an Application Specific Integrated Circuit (ASIC). The ASIC monitors and controls the actuator's rotation and provides a digital rotation sensing (DRS) function to prevent damage to the actuator in a stall condition. Power consumption is reduced in holding mode.

Add on auxiliary switches or feedback potentiometers are easily fastened directly onto the actuator body for signaling and switching functions.

### Dimensions (Inches [mm])



D143\_08

K20901 - 01/09 - Subject to change. © Belimo Aircontrols (USA), Inc.

Accessories	
K-SA	Reversible Clamp
ZG-100	Universal Mounting Bracket
ZG-101	Universal Mounting Bracket
ZG-103	Universal Mounting Bracket
ZG-104	Universal Mounting Bracket
Z-SMA	AM/SM to AM Retrofit Mounting Bracket
ZG-AMA	Crankarm Adaptor Kit
AV8-25	Universal Shaft Extension
ZG-JSA (-1, 2, 3)	Jackshaft Adaptors for Hollow Jackshafts
ZS-100	Weather Shield - Steel
ZS-150	Weather Shield - Polycarbonate
ZS-260	Explosion Proof Housing
ZS-300 (-1) (-5)	NEMA 4X Housing
Tool-06	8 mm & 10 mm Wrench
S1A, S2A	Auxiliary Switch (es)
P370	Shaft Mount Auxiliary Switch
P...A	Feedback Potentiometers
NSV24 US	Battery Back-Up Module
ZG-X40	Transformer

**NOTE:** When using AMX24-PC... actuators, only use accessories listed on this page.

### Typical Specification

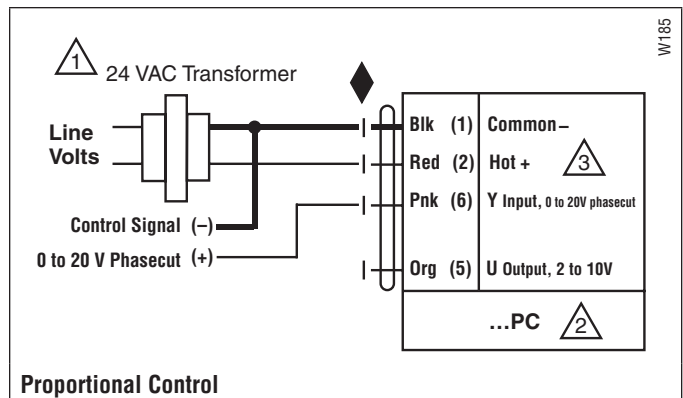
Proportional control damper actuators shall be electronic direct-coupled type, which require no crankarm and linkage and be capable of direct mounting to a shaft up to 1.05" diameter. Actuators must provide proportional damper control in response to 0 to 20V phasecut control input from an electronic controller or positioner. Actuators shall have Brushless DC motor technology and be protected from overload at all angles of rotation. Actuators shall have reversing switch and manual override on the cover. Run time shall be constant and independent of torque. Actuators shall be cULus listed, have a 5-year warranty, and be manufactured under ISO 9001 International Quality Control Standards. Actuators shall be as manufactured by Belimo.

### Wiring Diagrams

#### ✂ INSTALLATION NOTES

- 1 Provide overload protection and disconnect as required.
- 2 **CAUTION Equipment damage!**  
Actuators may be connected in parallel.  
Power consumption and input impedance must be observed.
- 3 Actuators may also be powered by 24 VDC.

**⚠ WARNING Live Electrical Components!**  
During installation, testing, servicing and troubleshooting of this product, it may be necessary to work with live electrical components. Have a qualified licensed electrician or other individual who has been properly trained in handling live electrical components perform these tasks. Failure to follow all electrical safety precautions when exposed to live electrical components could result in death or serious injury.



# AMQB(X)24-1

On/Off Control, Non-Spring Return, Direct Coupled, 24V



Technical Data	AMQB(X)24-1
Power Supply	24 VAC $\pm 20\%$ 50/60 Hz 24 VDC $\pm 10\%$
Power Consumption	12 W (1.5 W)
Transformer Sizing	18 VA (Class 2 power source)
Electrical Connection	
AMQB24-1	3 ft [1m] 18 GA plenum rated cable Protected NEMA 2 (IP54)
AMQX24-1	□ 3 ft [1m] □ 10 ft [3m] □ 16 ft [5m] 18 GA plenum rated cable Protected NEMA 2 (IP54)
Overload Protection	electronic throughout 0 to 95° rotation
Control	On/Off
Input Impedance	1000 $\Omega$
Angle of Rotation	min. 30°, max. 95°, adjust. with mechanical stop
Torque	140 in-lb [16 Nm]
Direction of Rotation	reversible with  switch
Position Indication	reflective visual indicator (snap-on)
Manual Override	external push button
Running Time	
AMQB24-1	7 seconds (default) constant independent of load
AMQX24-1	7, 10, 15 or 20 seconds constant independent of load
Humidity	5 to 95% RH non-condensing (EN 60730-1)
Ambient Temperature	-22°F to 122°F [-30°C to 50°C]
Storage Temperature	-40°F to 176°F [-40°C to 80°C]
Housing	NEMA 2, IP54, UL enclosure type 2
Housing Material	UL94-5VA
Agency Listings	cULus acc. to UL 60730-1A/-2-14, CAN/CSA E60730-1:02, CE acc. to 2004/108/EEC and 2006/95/EC
Noise Level	<52 dB(A)
Servicing	maintenance free
Quality Standard	ISO 9001
Weight	3.75 lbs [1.7 kg]

Rated Impulse Voltage 800V, Type of action 1, Control Pollution Degree 3.

Torque min. 140 in-lb for control of damper surfaces up to 35 sq ft.

## Application

For On/Off control of dampers in HVAC systems. Actuator sizing should be done in accordance with the damper manufacturer's specifications.

The actuator is mounted directly to a damper shaft up to 1.05" in diameter by means of its universal clamp, self-centered default. A crankarm and several mounting brackets are available for applications where the actuator cannot be direct coupled to the damper shaft.

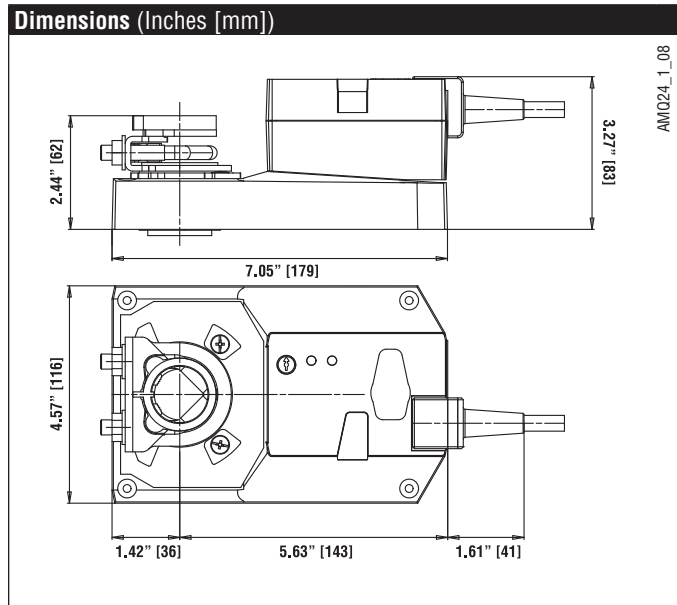
## Operation

The actuator is not provided with and does not require any limit switches, but is electronically protected against overload. The anti-rotation strap supplied with the actuator will prevent lateral movement.

The AMQB(X) series provides 95° of rotation and a visual indicator indicates position of the actuator. When reaching the damper or actuator end position, the actuator automatically stops. The gears can be manually disengaged with a button on the actuator cover.

The AMQB(X)24-1 actuators use a sensorless Brushless DC motor, which is controlled by an Application Specific Integrated Circuit (ASIC). The ASIC monitors and controls the actuator's rotation and provides a digital rotation sensing (DRS) function to prevent damage to the actuator in a stall condition. Power consumption is reduced in holding mode.

Add-on auxiliary switches or feedback potentiometers are easily fastened directly onto the actuator body for signaling and switching functions.



K20901 - 01/09 - Subject to change. © Belimo Aircontrols (USA), Inc.

**Accessories**

K-GM20	½" -1.05" Shaft Clamp
ZG-100	Universal Mounting Bracket
ZG-102	Universal Mounting Bracket
Z-GMA	Retrofit Mounting Bracket
ZG-NMA	Crankarm Adaptor Kit
AV8-25	Universal Shaft Extension
ZG-JSA (-1, 2, 3)	Jackshaft Adaptors for Hollow Jackshafts
ZS-100	Weather Shield - Steel
ZS-150	Weather Shield - Polycarbonate
ZS-260	Explosion Proof Housing
ZS-300 (-1) (-5)	NEMA 4X Housing
Tool-06	8 mm & 10 mm Wrench
PS-100	Actuator Power Supply Simulator
S1A, S2A	Auxiliary Switch (es)
P370	Shaft Mount Auxiliary Switch
P...A	Feedback Potentiometers

**NOTE:** When using AMQB(X)24-1 actuators, only use accessories listed on this page.

**Typical Specification**

On/Off control damper actuators shall be electronic direct-coupled type, which require no crankarm and linkage and be capable of direct mounting to a shaft up to 1.05" diameter. Actuators shall have Brushless DC motor technology and be protected from overload at all angles of rotation. Actuators shall have reversing switch and manual override on the cover. Run time shall be constant and independent of torque. Actuators shall be cULus listed, have a 5-year warranty, and be manufactured under ISO 9001 International Quality Control Standards. Actuators shall be as manufactured by Belimo.

**Wiring Diagrams**
**INSTALLATION NOTES**

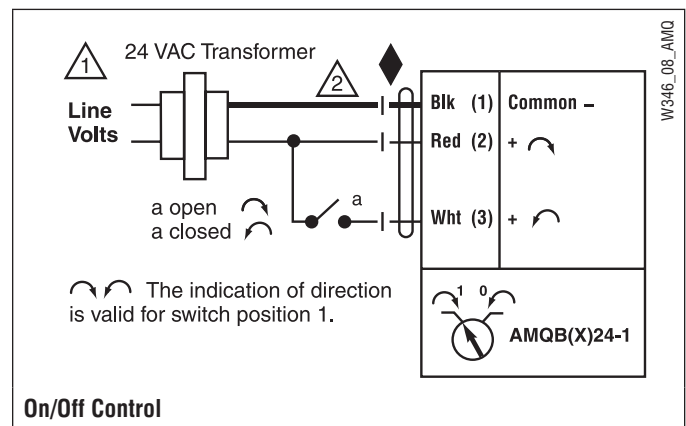
- Provide overload protection and disconnect as required.
- Actuators may also be powered by 24 VDC.

**APPLICATION NOTES**

- Meets cULus or UL and CSA Standard requirements without the need of an electrical ground connection.

**WARNING Live Electrical Components!**

During installation, testing, servicing and troubleshooting of this product, it maybe necessary to work with live electrical components. Have a qualified licensed electrician or other individual who has been properly trained in handling live electrical components perform these tasks. Failure to follow all electrical safety precautions when exposed to live electrical components could result in death or serious injury.





MFT



Technical Data	AMQB(X)24-MFT
Power Supply	24 VAC ± 20% 50/60 Hz 24 VDC ± 10%
Power Consumption	12 W (1.5 W)
Transformer Sizing	18 VA (Class 2 power source)
Electrical Connection	
AMQB24-1	3 ft [1m] 18 GA plenum rated cable Protected NEMA 2 (IP54)
AMQX24-1	□ 3 ft [1m] □ 10 ft [3m] □ 16 ft [5m] 18 GA plenum rated cable Protected NEMA 2 (IP54)
Overload Protection	electronic throughout 0 to 95° rotation
Operating Range Y	2 to 10 VDC, 4 to 20 mA (default) Variable (VDC, On/Off)
Input Impedance	100 kΩ (0.1 mA), 500 Ω, 1000 Ω (On/Off)
Feedback Output U	2 to 10 VDC, 0.5 mA max, VDC Variable
Angle of Rotation	min. 30°, max. 95°, adjust. with mechanical stop electronically variable
Torque	140 in-lb [16 Nm]
Direction of Rotation	reversible with  switch
Position Indication	reflective visual indicator (snap-on)
Manual Override	external push button
Running Time	
AMQB24-MFT	7 seconds (default) constant independent of load
AMQX24-MFT	7, 10, 15 or 20 seconds constant independent of load
Humidity	5 to 95% RH non condensing (EN 60730-1)
Ambient Temperature	-22°F to 122°F [-30°C to 50°C]
Storage Temperature	-40°F to 176°F [-40°C to 80°C]
Housing	NEMA 2, IP54, UL enclosure type 2
Housing Material	UL94-5VA
Agency Listings†	cULus acc. to UL 60730-1A/-2-14, CAN/CSA E60730-1:02, CE acc. to 2004/108/EEC and 2006/95/EC
Noise Level	<52dB(A)
Servicing	maintenance free
Quality Standard	ISO 9001
Weight	3.75 lbs [1.7 kg]

†Rated Impulse Voltage 800V, Type of action 1, Control Pollution Degree 3.

Torque min. 140 in-lb for control of damper surfaces up to 35 sq ft.

## Application

For proportional modulation of dampers in HVAC systems. Actuator sizing should be done in accordance with the damper manufacturer's specifications.

The actuator is mounted directly to a damper shaft up to 1.05" in diameter by means of its universal clamp, 1/2" self-centered default. A crankarm and several mounting brackets are available for applications where the actuator cannot be direct coupled to the damper shaft.

The default parameters for 2 to 10 VDC applications of the ...MFT actuator are assigned during manufacturing. If necessary, custom versions of the actuators can be ordered. The parameters can be changed by two means: pre-set and custom configurations from Belimo or on-site configurations using the Belimo PC-Tool software.

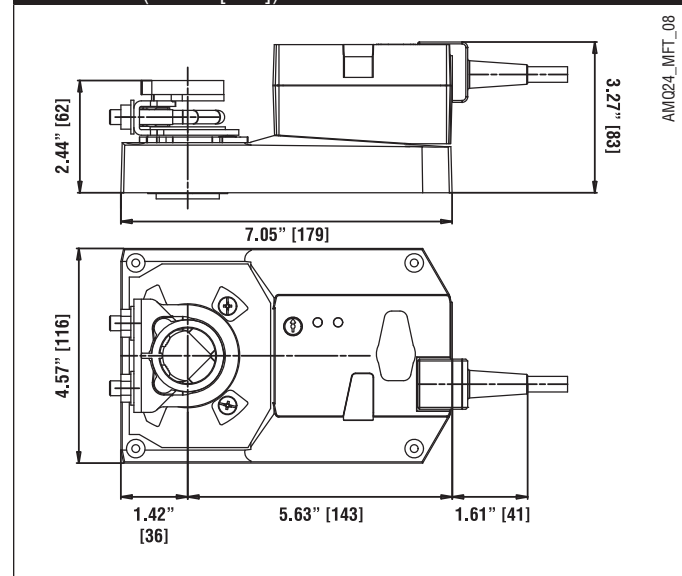
## Operation

The actuator is not provided with and does not require any limit switches, but is electronically protected against overload. The anti-rotation strap supplied with the actuator will prevent lateral movement.

The AMQB(X) series provides 95° of rotation and a visual indicator indicates position of the actuator. When reaching the damper or actuator end position, the actuator automatically stops. The gears can be manually disengaged with a button on the actuator cover.

The AMQB(X)24-MFT actuators use a Brushless DC motor, which is controlled by an Application Specific Integrated Circuit (ASIC). The ASIC monitors and controls the actuator's rotation and provides a digital rotation sensing (DRS) function to prevent damage to the actuator in a stall condition. Power consumption is reduced in holding mode.

## Dimensions (Inches [mm])



K20901 - 01/09 - Subject to change. © Belimo Aircontrols (USA), Inc.

Accessories	
K-GM20	½"-1.05 Shaft Clamp
ZG-100	Universal Mounting Bracket
ZG-102	Universal Mounting Bracket
Z-GMA	Retrofit Mounting Bracket
ZG-AMA	Crankarm Adaptor Kit
AV8-25	Universal Shaft Extension
ZG-JSA (-1, 2, 3)	Jackshaft Adaptors for Hollow Jackshafts
ZS-100	Weather Shield - Steel
ZS-150	Weather Shield - Polycarbonate
ZS-260	Explosion Proof Housing
ZS-300 (-1) (-5)	NEMA 4X Housing
Tool-06	8 mm & 10 mm Wrench
S1A, S2A	Auxiliary Switch (es)
P370	Shaft Mount Auxiliary Switch
P...A	Feedback Potentiometers
SGA24	Min positioners in NEMA 4 housing
SGF24	Min positioners for flush panel mounting
ADS-100	Analog to Digital Switch
ZG-R01	Resistor for 4 to 20 mA Conversion
NSV24 US	Battery Back-Up Module
ZG-X40	Transformer

NOTE: When using AMQB(X)24-MFT actuators, only use accessories listed on this page.

### Typical Specification

Proportional control damper actuators shall be electronic direct-coupled type, which require no crankarm and linkage and be capable of direct mounting to a shaft up to 1.05" diameter. Actuators must provide proportional damper control in response to a 2 to 10 VDC or, with the addition of a 500 Ω resistor, a 4 to 20 mA control input from an electronic controller or positioner. Actuators shall have Brushless DC motor technology and be protected from overload at all angles of rotation. Actuators shall have reversing switch and manual override on the cover. Run time shall be constant and independent of torque. Actuators shall be cULus listed, have a 5-year warranty, and be manufactured under ISO 9001 International Quality Control Standards. Actuators shall be as manufactured by Belimo.

### Wiring Diagrams

#### INSTALLATION NOTES

- 1 Provide overload protection and disconnect as required.
- 2 **CAUTION Equipment damage!** Actuators may be connected in parallel if not mechanically mounted to the same shaft. Power consumption and input impedance must be observed.
- 3 Actuators may also be powered by 24 VDC.

#### APPLICATION NOTES

- ◆ The ZG-R01 500 Ω resistor may be used.

#### WARNING Live Electrical Components!

During installation, testing, servicing and troubleshooting of this product, it may be necessary to work with live electrical components. Have a qualified licensed electrician or other individual who has been properly trained in handling live electrical components perform these tasks. Failure to follow all electrical safety precautions when exposed to live electrical components could result in death or serious injury.

