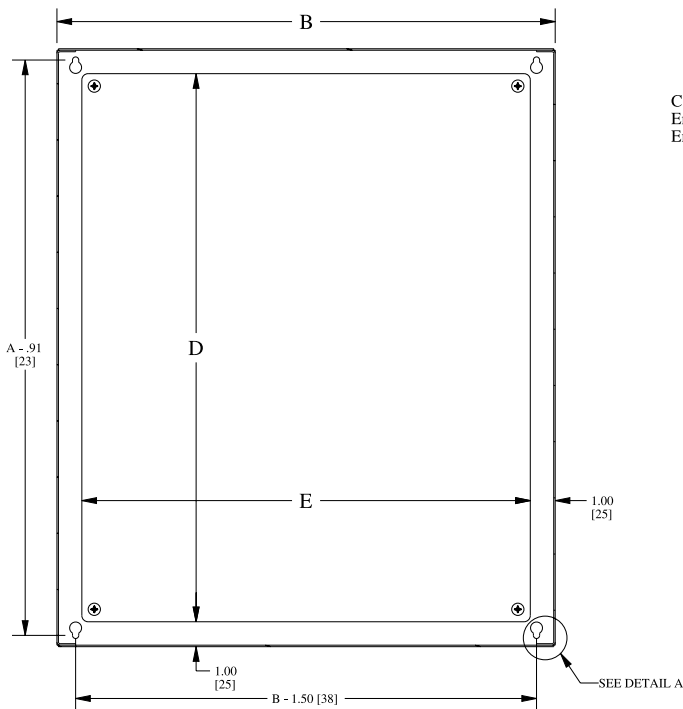
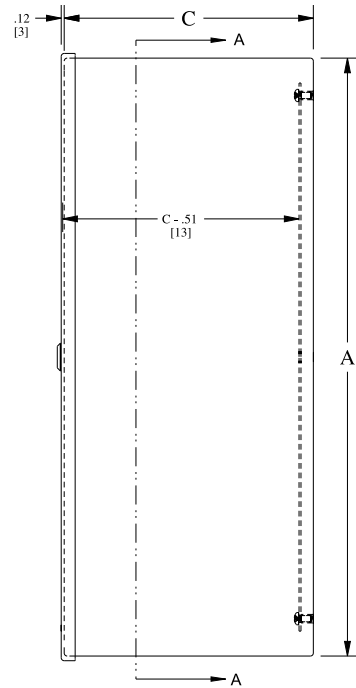
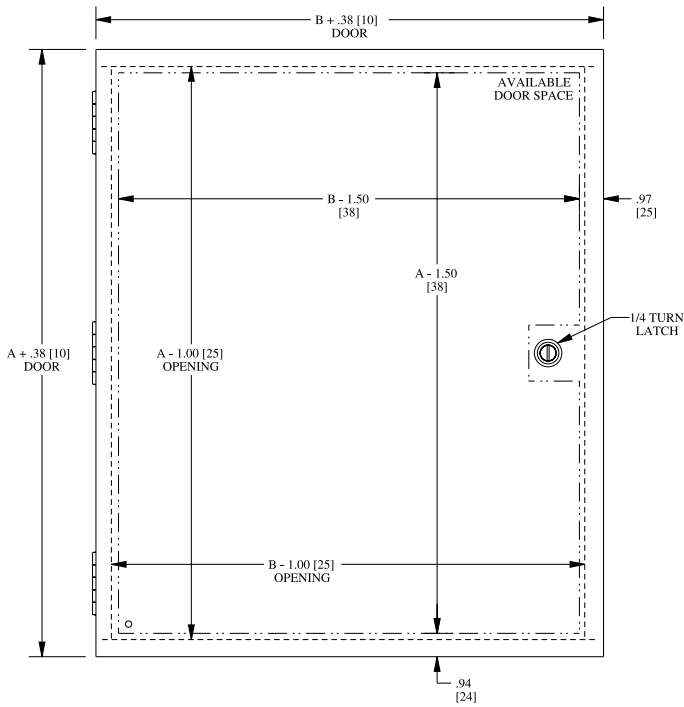
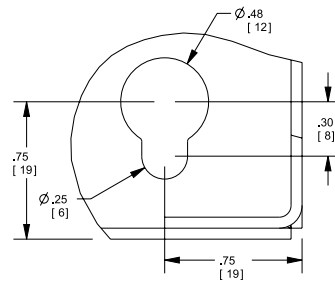


TYPE 1 SINGLE DOOR ENCLOSURES TECHNICAL DATA



CONSTRUCTION NOTES:
Enclosures < 24.00" [610] wide are made of 0.060" [2] material.
Enclosures => 24.00" [610] wide are made of 0.075" [2] material.



DETAIL A

SECTION A-A